

PC-1860

CEILING MOUNT SPEAKER 5INCH 6W



The PC-1860 is suitable for announcements and BGM system use in high sound quality. The speaker's design harmonizes with modern architecture and decor.

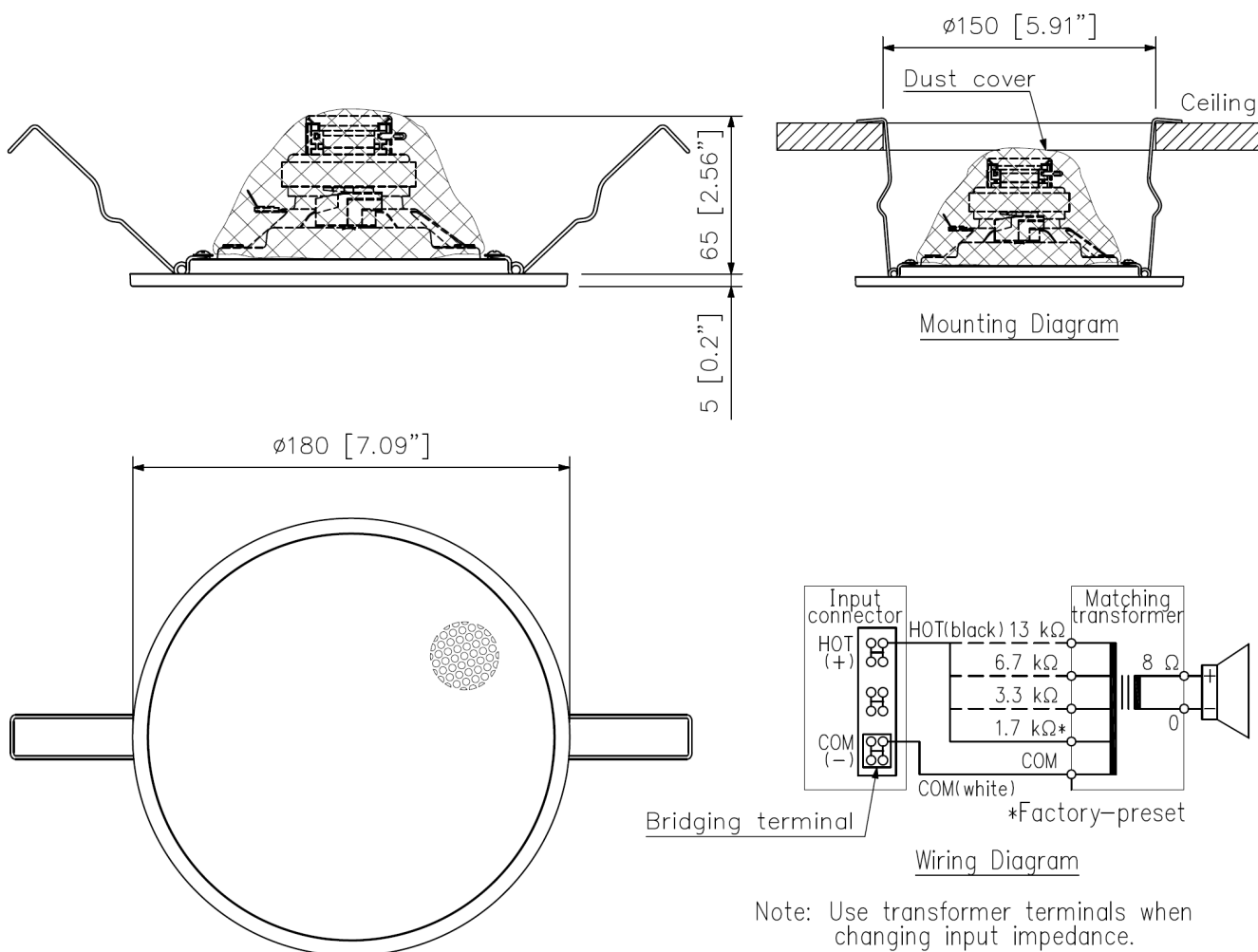
Key features

- Flat front panel
- Quick and easy installation with spring catches
- Dust cover
- Snap in cable terminal
- 6 W rated input
- 12 cm speaker

Specifications

Rated Input	6 W (100 V line), 3 W (70 V line)
Rated Impedance	100 V line: 1.7 k Ω (6 W), 3.3 k Ω (3 W), 6.7 k Ω (1.5 W), 13 k Ω (0.8 W) 70 V line: 1.7 k Ω (3 W), 3.3 k Ω (1.5 W), 6.7 k Ω (0.8 W), 13 k Ω (0.4 W)
Sensitivity	94 dB (1 W, 1 m) (500 Hz - 5 kHz, pink noise)
Frequency Response	80 Hz - 20 kHz (peak -20 dB)
Speaker Component	12 cm (5") cone-type
Mounting Hole	Mounting hole: $\varnothing 150 \pm 3$ mm (5.91 \pm 0.12") Ceiling thickness: 5 - 25 mm (0.2" - 0.98")
Speaker Mounting Method	Spring clamp
Cable Requirements	Solid wire: 0.5 - 3 mm ² (AWG 20 - 12)
Connection	Push wire connection (Bridging terminal-2 branch type)
Operating Temperature	-10 °C to +50 °C (14 °F to 122 °F)
Finish	Frame: Steel plate, white (RAL 9016 equivalent), paint Grille: Steel net, white (RAL 9016 equivalent), paint
Dimensions	$\varnothing 180 \times 70$ (D) mm ($\varnothing 7.09 \times 2.76$ ")
Weight	560 g (1.23 lb)
Included Accessories	Paper pattern ... 1

Dimensions



UNIT:mm

Note: Use transformer terminals when changing input impedance.

A&E specifications

The loudspeaker shall be of in-ceiling type design, with a full lightweight metal construction with no visible fixings and a discreet outer bezel of only 5 mm.

Installation shall be via pre-mounted springs allowing it to be mounted in a ceiling with a thickness of between 5 - 25 mm (0.2" - 0.98"). A template shall be provided to assist in cutting mounting holes. The loudspeaker shall incorporate a single 12 cm (5") full range cone-type transducer with a smooth frequency response of 80 Hz to 20 kHz measured on axis.

The loudspeaker shall produce a Sound Pressure Level (SPL) of 94 dB (measured between 500Hz – 5kHz of pink noise) on axis at 1 meter with a power input of 1 watt and shall be capable of producing 6 watts (for 100 V Line) and 3 watts (for 70 V Line) of power.

The loudspeaker shall be fitted with a factory mounted transformer with easy selectable power tapings of 6 W, 3 W, 1.5 W and 0.8 W when using 100 V Line and 3 W, 1.5 W, 0.8 W and 0.4 W when using 70 V Line. Push-in-type connectors shall make cable connection easy and quick and shall allow bridge wiring when necessary.

The dimensions shall be Ø180 × 70 (D) mm (7.09" × 2.76") weighing 560 g (1.23 lb.) The finish of the loudspeaker shall be: Baffle: steel plate, white (RAL 9016 equivalent). Grille: Steel net, white (RAL 9016 equivalent).

Manufacturer: TOA Corporation

Model: PC-1860