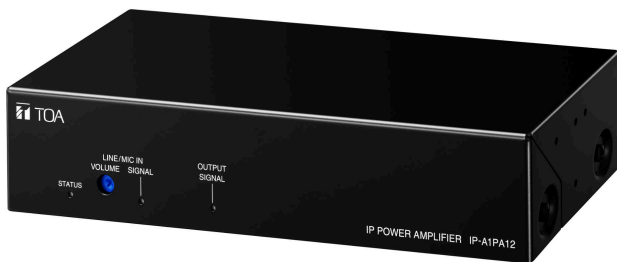


IP-A1PA12

IP POWER AMPLIFIER 12W



The IP-A1PA12 is a compact 12 W amplifier which is designed to amplify audio signals received through network. It is equipped with 25 V, 70 V and 100 V speaker line outputs to drive wide range of high impedance speakers. With an external amplifier input capability, speaker(s) can be driven by internal amplifier or external amplifier by switching over. It allows integrations with IP camera systems by using ONVIF protocol, paging from IP phone systems by using SIP protocol and group broadcast by multicast streaming. Max. 20 audio files can be registered and they can be played back by control inputs or remote API (HTTP) commands.

Key features

- 12W amplifier to drive 100/70/25V line speakers
- Receive SIP audio, ONVIF Audio and Multicast
- Local broadcast using internal audio files or local audio source
- External amplifier input (100/70/25V) to share speakers between the built-in amplifier and external PA amplifier to be switched over
- 1 audio input (LINE/MIC selectable, phantom power On/Off)
- 2 control inputs, 1 control output and 1 mute control input
- HTTP commands (receive)
- Audio file storage (20 files, total 80MB, WAV/MP3)
- Playback programs (Repeat, Weekly Timer)
- PoE+ powered

Specifications

Power Source	PoE+ (IEEE802.3at Class 4)
Power Consumption	25 W (rated output) 6 W (IEC62368-1)
Amplifier Rated Output	12 W
Frequency Response	100 Hz - 20 kHz
Audio Codec	Opus, PCMU (G.711u), PCMA (G.711a), G.722
Audio Delay Time	Min. 100 ms (*1)
Broadcasting Mode	SIP Broadcasting/SIP calling Mode: Opus/PCMU/PCMA/G.722, P2P/SIP Server Connection Multicast Broadcasting Mode: Opus/PCMU/PCMA/G.722 Auto codec recognition, 20 ports VMS Broadcasting Mode: PCMU Internal Message Broadcasting Mode Local Broadcasting Mode: Output from LINE/MIC IN to SPEAKER OUT Note: Each broadcast mode can be assigned an order of priority using the Priority Setting function.
Sound Source Files	Max. 20 files (File storage capacity: 80 MB total) Supported file formats WAV file: 8/16/44.1/48 kHz sampling frequency, 8/16 bit, monoaural/stereo MP3 file: 32/44.1/48 kHz sampling frequency, 64 - 320 kbps, CBR/VBR, monoaural/stereo Repeat playback: Playcount (1 - 10 times), Duration (5 - 3600 sec) or Timer (from Start time to End time) Interval time: 0 - 60 sec, Delay time: 0 - 30 sec Trigger: Control Input or Remote API (HTTP)
Network I/F	100BASE-TX, Auto MDI/MDI-X, RJ45
Network Protocol	TCP/IP, UDP, HTTP, RTP, RTSP, RTCP, ARP, ICMP, IGMPv3, NTP, SIP (RFC3261)
Audio Input	1 channel, electronically-balanced, 10 k Ω LINE/MIC selectable (Rated input: LINE: 0 dB (*2), MIC: -60 dB (*2)) PAD function (-20 dB (*2), Phantom power ON/OFF (12 V DC), volume adjustable removable terminal block (6 pins)
Audio Output	1 channel, electronically-balanced, 600 Ω or less Rated input: 0 dB (*2), removable terminal block (6 pins)
Speaker Output	High impedance 100 V line (830 Ω), 70 V line (420 Ω), 25 V line (52 Ω) N (100 V), N (70 V/25 V switchable), R, C removable terminal block (4pins)
External Amplifier Input	High impedance 100 V line, 70 V line, 25 V line N (100 V), N (70 V/25 V switchable), R, C removable terminal block (4pins)
Amplifier Switching Control	Relay switching Switched to external amplifier when the following functions and operations are activated: mute control input, control input, system mute, remote API control and the unit power off.
Control Input	2 channels, no-voltage make contact inputs, open voltage: 5 V DC, short-circuit current: 2 mA or less, removable terminal block (6 pins)
Mute Control Input	1 channel, 24 V DC cut signal, control current: 5 mA or less, removable terminal block (2 pins)
Control Output	1 channel, open collector output, withstand voltage: 30 V DC, control current: 150 mA or less, removable terminal block (6 pins)
Indicator	STATUS (green/blue/yellow/red), LINE/MIC IN (green/red), OUTPUT (green), LINK/ACT (green)
Clock Accuracy	\pm 13 seconds per month
Time Adjustment	Manual time setting, Time adjustment by NTP server
Power Outage Protection Period	24 hours (RTC time retention, at 40 °C (104 °F))

Operating Temperature	-30 °C to +55 °C (-22 °F to 131 °F)
Operating Humidity	90 %RH or less (no condensation)
Finish	Front case: Surface-treated steel plate, black, paint Rear chassis: Surface-treated steel plate
Dimensions	210 (W) x 44 (H) x 81.5 (D) mm (8.27" x 1.73" x 3.21") (excluding projection)
Weight	940 g (2.07 lb)
Included Accessories	Removable terminal plug (6 pins, preinstalled on the unit) x 2, Removable terminal plug (2 pins, preinstalled on the unit) x 1, Rubber feet x 4, Mounting screw (M3 x 6) x 4
Optional Accessories	Rack mounting bracket: MB-15B-BK (for rack mounting one IP-A1PA12 unit) (*3) Wall mounting bracket: MB-15B (for wall mounting)

(*1) When using in Local Input Broadcasting Mode, assume Audio Delay Time.

(*2) 0 dB = 1

(*3) Not compatible with jointing 2 units using MB-15B-J.

*ONVIF is a registered trademark of ONVIF Inc.

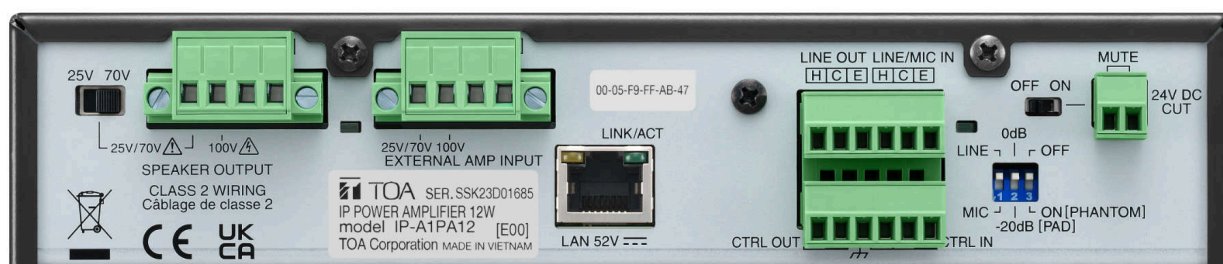
*These specifications apply to the firmware version 3.1.0 or later. For the latest specifications and firmware, please refer to the TOA DATA Library (<https://www.toa-products.com/international/>)

PC requirements

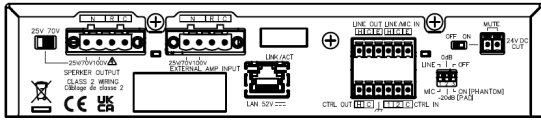
PC Requirements

Display	1920 x 1080 resolution or greater
OS	Windows 10 Pro (64 bit edition) Windows 10 Home (64 bit edition) Windows 11 Pro Windows 11 Home
Web Browser	Google Chrome Microsoft Edge

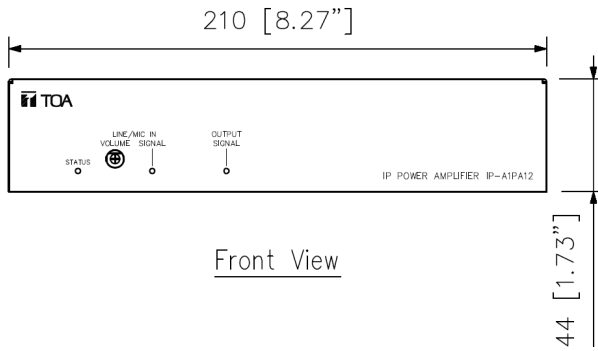
Product rear image



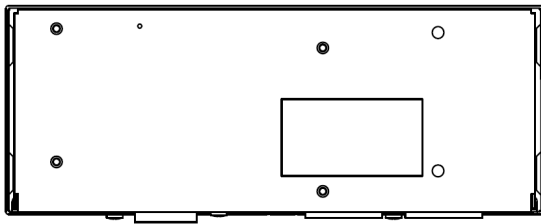
Dimensions



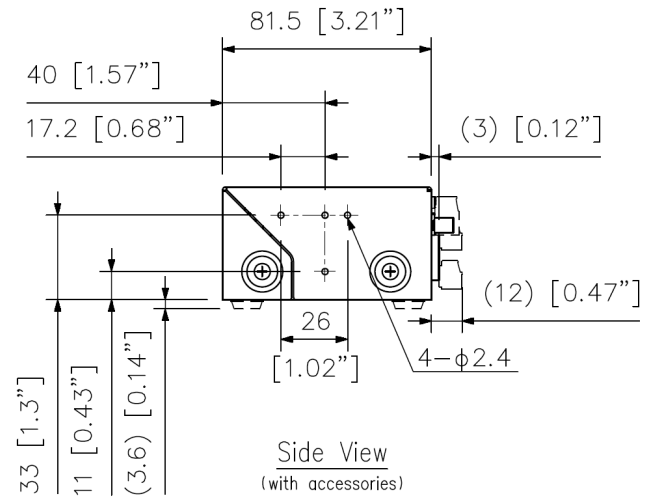
Rear View



Front View



Bottom View



Side View
(with accessories)

UNIT: mm

Note: Numerical values in parentheses are for reference only.

A&E specifications

The IP power amplifier shall be able to amplify audio signals connected to audio input terminals or received through network. It shall be equipped with 25V, 70V and 100V speaker line outputs to drive high impedance loudspeakers with an internal 12 watt amplifier.

The IP power amplifier shall be able to receive digital audio streams from SIP, ONVIF or Multicast for example, into analogue signals for the purpose of broadcasting public announcements. Broadcast shall be able to be controlled using remote HTTP control API or control inputs from connected external equipment and local inputs.

The IP power amplifier shall be equipped with 25V, 70V or 100V line high impedance external amplifier input. The internal connection to loudspeakers shall be able to be switched between the internal amplifier and an external amplifier by mute control input, control input, system mute, remote API control or the unit power off.

The IP power amplifier shall have an electronically balanced 10k Ω audio input with LINE/MIC selection and a 600 Ω electronically balanced output. The audio input shall have an independent volume control on the front panel that can only be adjusted by using a screwdriver.

The IP power amplifier shall offer priority status among the various broadcast modes that will override and interrupt a lower priority broadcast.

The IP power amplifier shall be capable of being muted by TOA IP-A1PG IP Paging Gateway or IP-A1RM IP Remote Microphone as the highest priority operation.

Twenty multi-cast ports shall be available for group paging and shall have the facility of storing up to twenty audio files with the code of WAV or MP3 format internally. The device shall have the flexibility of broadcasting these files at predetermined times by setting the start and end time along with the day(s) of the week, or repeated when necessary, triggered from a control input or from remote API (HTTP). The IP audio interface shall be capable of being muted by TOA IP-A1PG Paging Gateway or TOA IP-A1RM Remote Microphone as the highest priority operation. Remote settings shall be achieved by connection to a Windows® based personal computer and by using the PC's browser, operational settings, functions and system status can be established. Power source shall be supplied from a PoE+ switching hub.

The IP power amplifier shall be housed in black treated steel plate and its dimension shall be 210 (W) x 44 (H) x 81.5 (D) mm (8.27" x 1.73" x 3.21") weighing 940 g (2.07 lbs).

Optional extras:

Rack mounting bracket: MB-15B-BK

Wall mounting bracket: MB-15B

manufactured by TOA Corporation Manufacturer: TOA Corporation

Model: IP-A1PA12