

Model DD SERIES-BN2M Wall-Mounted Bi-Directional Mic/Line Dante Interface 2x2

- Interfaces Two Dante Inputs and Two Dante Outputs
- Inputs on Front-Panel XLR Jacks; Outputs on Rear-Panel Terminal Block
- Converts Two Standard Mic or Line Audio Sources to Dante Network Channels
- Converts Two Dante Network Audio Signals to Line Level
- Special Software Not Required for Module Setup
- Each Input is Switch Selectable for Mic or Line
- Studio Quality Low-Noise Microphone Preamplifiers
- Switch-Selectable Mic Gain: 40 dB, 48 dB or 62 dB
- Switch-Selectable 48 V Mic Phantom (P48)
- Switch-Selectable Line Gain: Unity, 12 dB or 19 dB
- Each Output is Switch Selectable for Balanced +4 dBu or Unbalanced -10 dBV
- Studio Quality, Low-Noise Performance
- High Resolution 24 Bit Analog to Digital and Digital to Analog Conversion
- Legendary RDL Analog Filtering Enhances Superb Audio Performance



APPLICATION: The DD-BN2M is a complete wall-mounted Dante audio network interface. It features two XLR mic or line inputs on the front panels, plus two line outputs on a rear-panel detachable terminal block. Special software is not required to configure the DD-BN2M. Each XLR input provides three switches that may be set from the front of the unit when the cover plate is not installed. One switch enables or disables P48 phantom; the second switch selects the mic or line gain range; the third switch sets the gain. Each rear-panel output provides a switch to set the output to balanced professional or unbalanced consumer level. The DD-BN2M fits a standard US dual-gang electrical box or an RDL WB-2 back box for installations in thinner European or equivalent walls. The DD-BN2M is PoE powered, and is available in multiple finishes with optional customized graphics.

The two XLR inputs are each converted to a separate Dante network transmit channel. Three gain settings are switch-selectable for both the mic and line input ranges to match condenser or dynamic mic levels and standard line levels.

Two Dante audio channels are converted to balanced line level on the rear-panel detachable terminal block. Each output provides +4 dBu balanced for a network digital audio level of -20 dBFS. Each output is equipped with a selector to unbalance the audio and attenuate the level to -10 dBV. These switches are located on the top of the chassis and are set by the installer prior to mounting the unit.

The rear-panel outputs are intended for connection to RDL AMS connectors mounted in Decora-style plates that match the DD-BN2M. AMS audio connectors include RCA, Mini and XLR jacks. The output plate may be located together with the DD-BN2M in a triple gang box or may be mounted remotely in a single box.

Valid PoE power and synchronization to the Dante network are indicated by green LEDs visible from the front of the unit.

The DD-BN2M is a professional grade product with discrete mic preamplifiers for studio quality fidelity and low noise performance, coupled through metal XLR jacks housed in a stainless steel chassis with powder-coated or stainless steel Decora front plates.

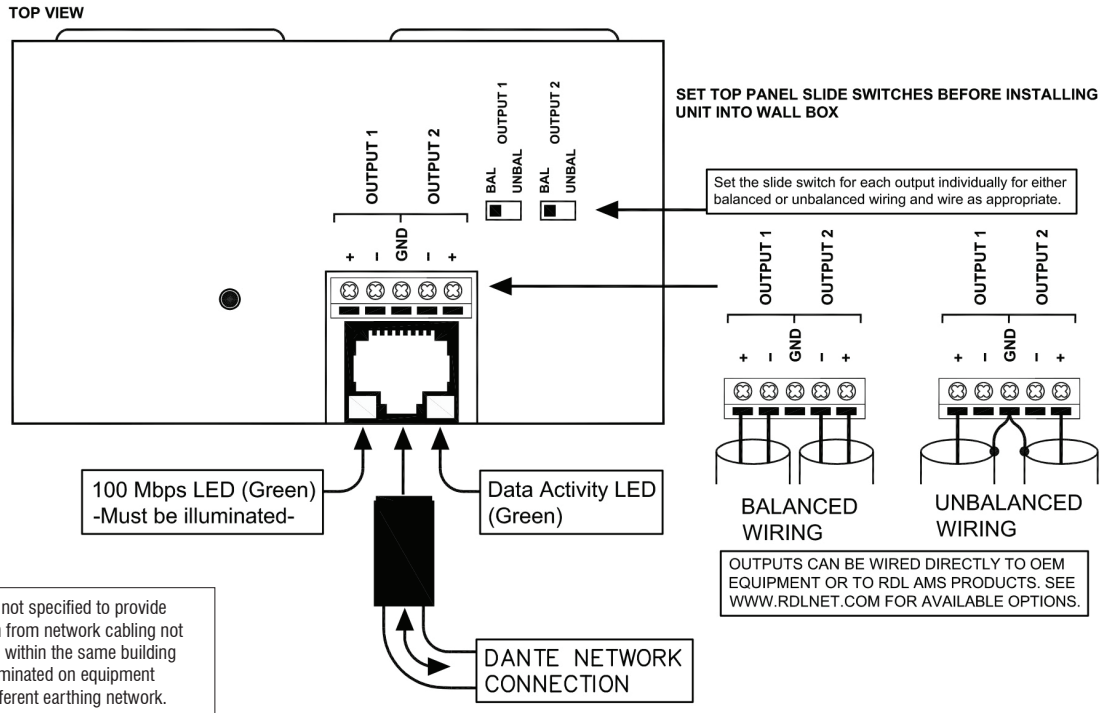
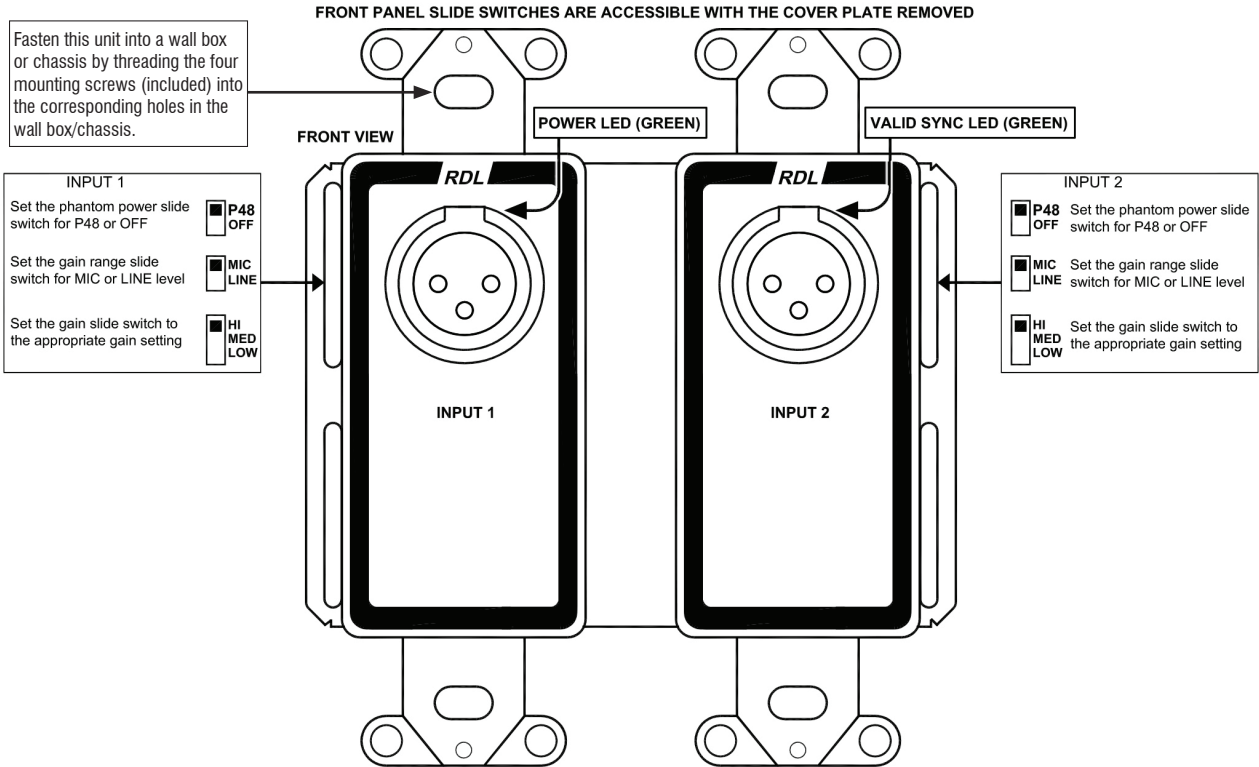
The DD-BN2M's superior performance specifications make it ideally suited to the most demanding installations, and an exceptional value in commercial networked audio systems. This full-featured product is engineered and manufactured in the U.S.A for continuous duty in demanding installations. Designed to outperform. Built to last.



Model DD SERIES-BN2M Wall-Mounted Bi-Directional Mic/Line Dante Interface 2x2

Installation/Operation

Declaration of Conformity available from rdlnet.com.
Sole EMC specifications provided on product package.
Specifications are subject to change without notice.



This product is not specified to provide basic insulation from network cabling not installed wholly within the same building structure or terminated on equipment earthed to a different earthing network.

Model DD SERIES-BN2M Wall-Mounted Bi-Directional Mic/Line Dante Interface 2x2

This product is not specified to provide basic insulation from network cabling not installed wholly within the same building structure or terminated on equipment earthed to a different earthing network.

TYPICAL PERFORMANCE

Network Connector: RJ45 with Link and Speed indicators
 Digital Audio Ethernet Protocol: Dante
 Transmission Rate: 100 Mbps
 Sample Rates Supported: 44.1 kHz, 48 kHz (default)
 Bit Depth Supported: 24 bits
 Audio Operating Level: -20 dBFS = +4 dBu
 Reference Level: 0 dBFS = +24 dBu

Mic/Line Inputs to Network Interface

Inputs (2): XLR (female)
 Gain: Mic: 40 dB (LO), 48 dB (MED), 62 dB (HI);
 Line: Unity (LO), 8 dB (MED), 19 dB (HI)
 Input Level (for +4 dBu/-20 dBFS): Mic: -36 dBu (LO), -44 dBu (MED), -58 dBu (HI);
 Line: +4 dBu (LO), -8 dBu (MED), -15 dBu (HI)
 Input Level (maximum): Mic: -16 dBu (LO), -24 dBu (MED), -38 dBu (HI);
 Line: +24 dBu (LO), +12 dBu (MED), +5 dBu (HI)
 Input Impedance: > 2.5 kΩ (MIC); > 5 kΩ (LINE)
 Phantom Power: P48, 48 Vdc, switch-selectable
 Standard for Phantom: IEC 61938: 2013
 Selectors per input (3): Phantom, Mic/Line, Gain
 Frequency Response: 20 Hz to 20 kHz (± 0.5 dB)
 Equivalent Input Noise: -130 dBu (62 dB gain); -132 dBu A-Weighted
 Noise below -20 dBFS (20 to 20 kHz): Mic: < -72 dB (LO), < -72 dB (MED), < -68 dB (HI);
 Line: < -72 dB (LO), < -72 dB (MED), < -70 dB (HI)
 THD+N: < 0.1% (20 Hz to 20 kHz, +4 dBu/-20 dBFS);
 0.015% at 1 kHz (typ)
 CMRR: > 65 dB (50 Hz to 120 Hz)
 Crosstalk: Below Noise Floor (20 Hz to 20 kHz at operating level,
 any input to any input, max. mic gain)

Network to Line Outputs

Outputs (2): Balanced, detachable terminal block
 Output Level (operating): +4 dBu (nominal) balanced; -10 dBV (nominal)
 unbalanced, switch-selectable
 Output Level (maximum): +24 dBu balanced; +10 dBV unbalanced
 Output Impedance: 150 Ω balanced; 2.5 kΩ unbalanced
 Frequency Response: 20 Hz to 20 kHz (± 0.5 dB)
 THD+N: < 0.1%
 THD: < 0.01% (1 kHz)
 Noise: < -80 dB (below +4 dBu or -10 dBV);
 < -100 (below +24 dBu)
 Crosstalk: Below Noise Floor (20 Hz to 20 kHz at
 operating level, output to output)
 Headroom above +4 dBu or -10 dBV: 20 dB
 Indicators (4): Ethernet Link and Speed (2, rear panel); Sync
 and Power (2, front panel)
 Ambient Operating Environment: 0° C to 40° C; 30° C maximum recommended
 Power Requirement: PoE Class 0, IEEE 802.3af
 Specification Conditions: Gain/Level: ± 1 dB; Source termination: 150 Ω;
 A to D values measured in digital domain
 Dimensions: 3.52" (8.94 cm) W;
 4.11" (10.44 cm) H;
 2.09" (5.31 cm) D
 Mounting: Wall mount in North American dual electrical
 box (4 square deep recommended) or RDL
 WB-2U (international wall box) at elevation ≤ 2 m.

Equivalent Gain Settings for Dante Products

Digital signal levels in a Dante network are measured in dBFS (dB referenced to the maximum output or clipping level). The nominal standard reference level used in professional audio products is: 0 dBFS = +24 dBu. A normal operating level of +4 dBu results from a digital level of -20 dBFS.

Some OEM industry products do not specify their reference and use a non-standard reference, such as 0 dBFS = +2 dBu. Gain definitions for such products do not equate to standard levels. An operating level of -18 dBu results from a digital level of -20 dBFS. For these OEM products, 22 dB must be added to the specified levels (gain, noise floor, etc.) to normalize their specs to be equivalent to those of professional audio products.

The following table helps designers specify functionally equivalent gain settings between products using the two references described above. Installers can use this table to determine the correct switch settings on an RDL Decora module if system specifications are provided for the non-standard dBFS/dBu reference.

Non-Standard Reference Products (OEM)		RDL Dante Decora Products		
Reference: 0 dBFS = +2 dBu		Reference: 0 dBFS = +24 dBu		
Gain Setting	← Equivalent →	Gain Setting	Mic/Line Switch	Gain Switch
-18 dB		Unity*	LINE	LO
---		8 dB	LINE	MED
-3 dB		19 dB	LINE	HI
---		40 dB	MIC	LO
25 dB		48 dB	MIC	MED
40 dB		62 dB	MIC	HI

*Unity gain on RDL products is 4 dB less than corresponding "OEM" gain in order to provide full headroom for +4 dBu balanced inputs.

In the table, microphone gain set to "40 dB" on the OEM product will produce the same digital audio level as microphone gain set to "62 dB" on the RDL product and on all industry products using the standard reference 0 dBFS = +24 dBu (-20 dBFS = +4 dBu).

The table is based on the "dBFS to dBu" references shown. OEM products may use a different reference, requiring a value other than 22 dBu be added to their gain, noise and other level specifications for performance comparison to professional audio products. Levels given are nominal, ± 1 dB.

Radio Design Labs Technical Support Centers

U.S.A. (800) 933-1780, (928) 778-3554; Fax: (928) 778-3506
 Europe [NH Amsterdam] (+31) 20-6238 983; Fax: (+31) 20-6225-287