

PCM150



Mounting Pattern
Up to 600 x 400mm



Max Load
150lb (68kg)

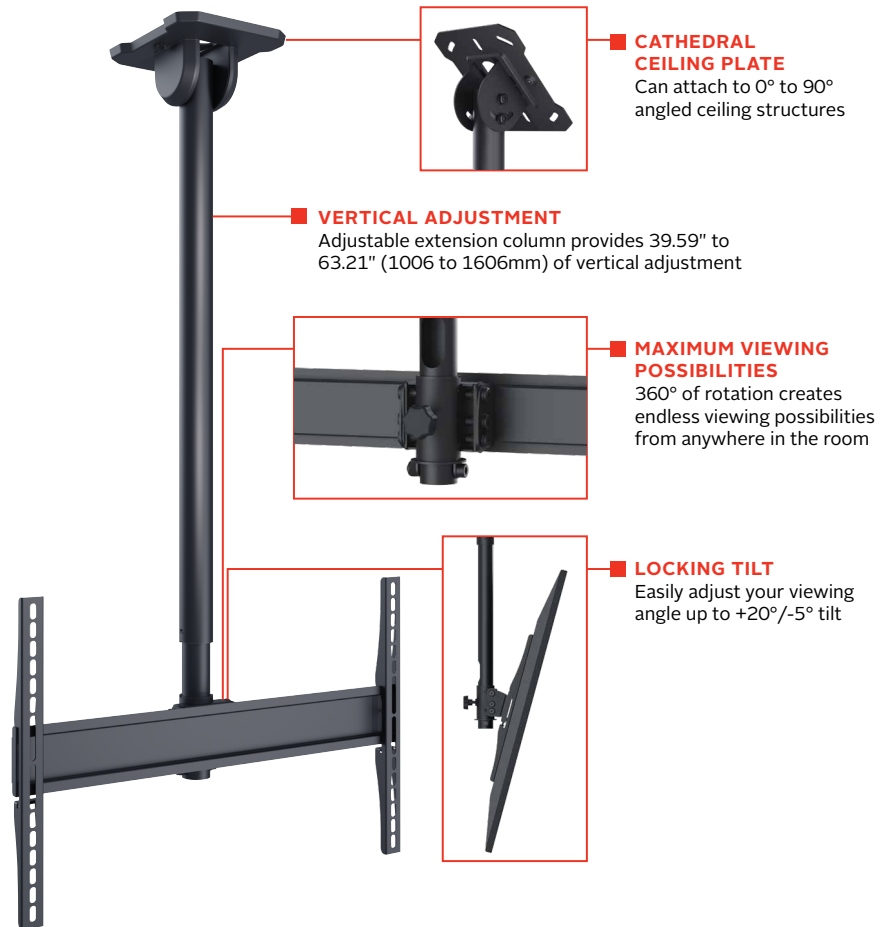
PARAMOUNT™

Universal Ceiling Mount Kit

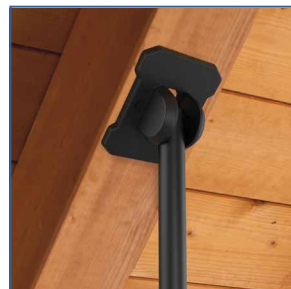
FOR 43" TO 90"+ DISPLAYS

The Paramount™ Universal Ceiling Mount Kit includes everything required for mounting a flat panel display onto a variety of ceiling types. Flat, sloped, wood or concrete ceiling installations are manageable with this flexible mounting kit. The 90° cathedral ceiling plate even allows the solution to be mounted to a wall. The kit includes an adjustable extension column that allows the display to be centered 39.59" to 63.21" from the ceiling. The lockable 360° swivel ensures the perfect viewing position.

- Accommodates 100 x 100 to 600 x 400mm VESA® mounting patterns
- Simple Hook-and-Hang™ display installation
- Side-to-side adjustment allows for perfect display positioning
- 360° of swivel can be locked in place with included thumb screw knob
- Easily route all cabling through the extension column for a clean and neat installation
- Molded covers, molded extension column guides and a clean column face provide top-quality aesthetics
- Mounts to wood stud or concrete ceilings
- Can be mounted at a 90° angle to wood stud, concrete or cinder block walls
- Includes all necessary ceiling mounting and display attachment hardware



Please visit peerless-av.com/en-us/patents for patent information.



Mounts on angled surfaces, such as vaulted or sloped ceilings



Mounts directly to wall structure when ceilings are too high

PCM150	Paramount™ Universal Ceiling Mount Kit for 43" to 90"+ Displays
---------------	---

Product Specifications

	DIMENSIONS (W x H x D)	PRODUCT WEIGHT	LOAD CAPACITY	FINISH	AVAILABLE COLORS
PCM150	25.43" x 39.59"-63.21" x 6.02" (646 x 1006-1606 x 153mm)	19.7lb (8.9kg)	150lb (68kg)	Scratch Resistant Fused Epoxy	Black

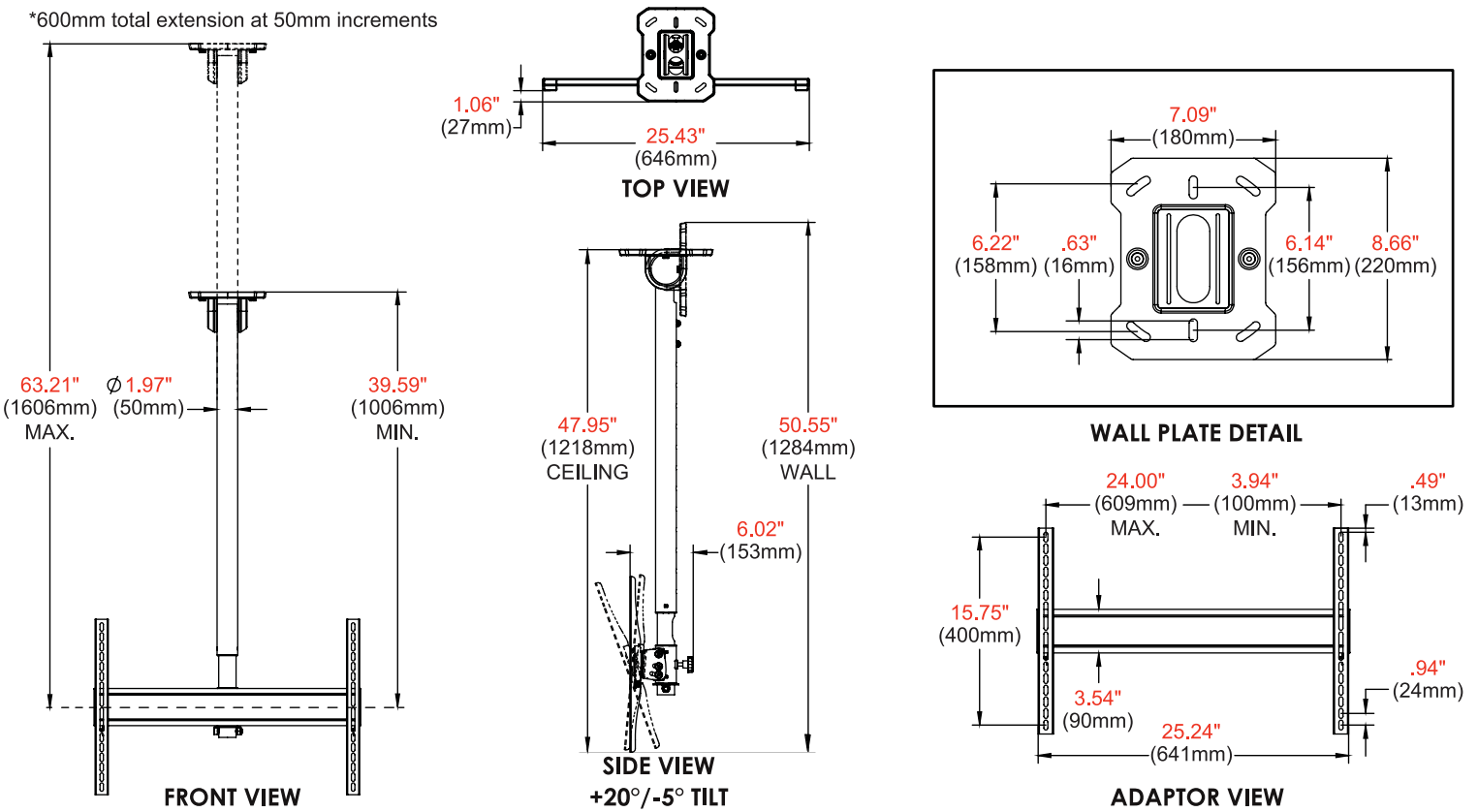
Package Specifications

	PACKAGE SIZE (W x H x D)	PACKAGE SHIP WEIGHT	PACKAGE UPC CODE	PACKAGE CONTENTS	UNITS IN PACKAGE
PCM150	45.5" x 10.13" x 5.25" (1156 x 257 x 133mm)	22.8lb (10.3kg)	735029273677	Ceiling Mount, Ceiling and Display Installation Hardware, Installation Instructions	1

Accessories

- ACC925:** Security Fasteners for V200x200 to V800x400 Mounts
- ACC-M835:** Security Fast-Pack, M8x25 & M8x35
- ACC-UCM:** Universal AV Component Mount
- ACC-V600X:** 600mm Extension for 400mm Adaptors
- ACC-V900X:** 600, 800 or 900mm Extension for 400mm Adaptors
- ACSBR1:** Universal Sound Bar Mounting Kit
- ACSBR2:** Universal Sound Bar Mounting Kit for up to 80" Displays
- ACC-SB2:** Universal UC/VC Soundbar Mount

All dimensions = inch (mm)



Architect Specifications

The Paramount™ Universal Ceiling Mount Kit shall be a Peerless-AV model PCM150 and shall be located where indicated on the plans. Assembly and installation shall be done according to instructions provided by the manufacturer.

Visit peerless-av.com to see the complete line of AV solutions from Peerless-AV, including outdoor displays, kiosks, display mounts, projector mounts, carts/stands, and a full assortment of accessories.

Peerless-AV
2300 White Oak Circle
Aurora, IL 60502
USA
(800) 865-2112
(630) 375-5100

Peerless-AV EMEA
Unit 2 Curo Park
Frogmore, St. Albans
Hertfordshire, AL2 2DD
United Kingdom
+44 (0) 1923 200 100

Peerless-AV B.V.
Papendorpseweg 75
3528 BJ Utrecht
The Netherlands
+31 (0) 70 770 8037

Peerless-AV Latin America
Av. de las Industrias 413
Parque Industrial Escobedo
General Escobedo, N.L.,
México, 66062
+52 (81) 8384-8300

