

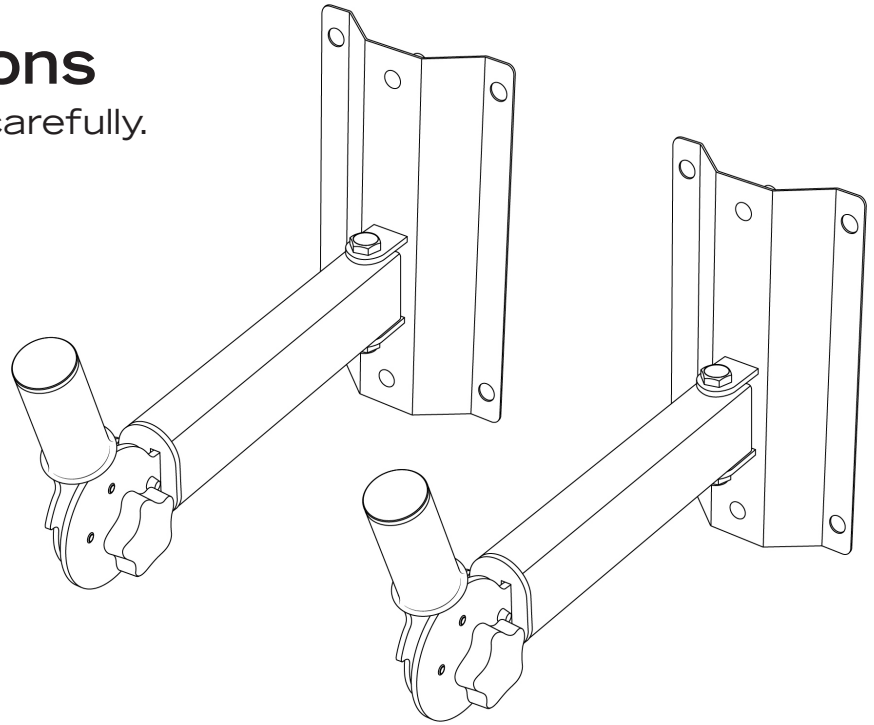
SS7322B

Adjustable Wall Mount Speaker Bracket Instructions



Please follow all instructions carefully.

Required Tools: hardware, socket wrench or open-end wrench, drill, drill bit, stud finder, pencil, level, and tape measure.



For installation on drywall

Step 1: Using a tape measure, determine the height at which the bracket will be mounted and mark the height on the wall with a pencil. Use the pencil mark as a guide to position the bracket at the desired height.

Step 2: Use a stud finder to locate a vertical wall stud near the desired point of installation. Place the bracket's baseplate flat against the wall so that its mounting holes are centered on the stud.

Step 3: Using a level, ensure that the baseplate is level and mark the two mounting hole locations on the wall with a pencil. Put the bracket aside.

Step 4: Using the pencil marks as a guide, drill two pilot holes.

The diameter of the pilot holes must be narrower than the outer diameter of the lag screws. The depth of the pilot holes must enable the lag screws to go through the baseplate and drywall and screw 2" into the wood stud.

Note: For installation on concrete walls, hardware approved for use with concrete must be used(not included).

Step 6: Before mounting the speaker, test the installation to make sure the bracket remains firmly attached to the wall while supporting the weight of the speaker.

Max Weight Capacity: 80 lbs per bracket

Step 5: Place the baseplate flat against the wall and align the baseplate mounting holes with the pilot holes.

Insert your hardware through the upper baseplate hole, then screw it into the wall. Using a wrench, tighten the lag screw until the head presses firmly against the baseplate. Repeat this process for the lower baseplate hole.

Step 7: Mount the speaker by sliding the speaker's mounting socket onto the bracket's speaker pole. Before fully releasing the speaker, confirm that the bracket remains securely on the wall while supporting the speaker's weight.