



Commercial Audio Products

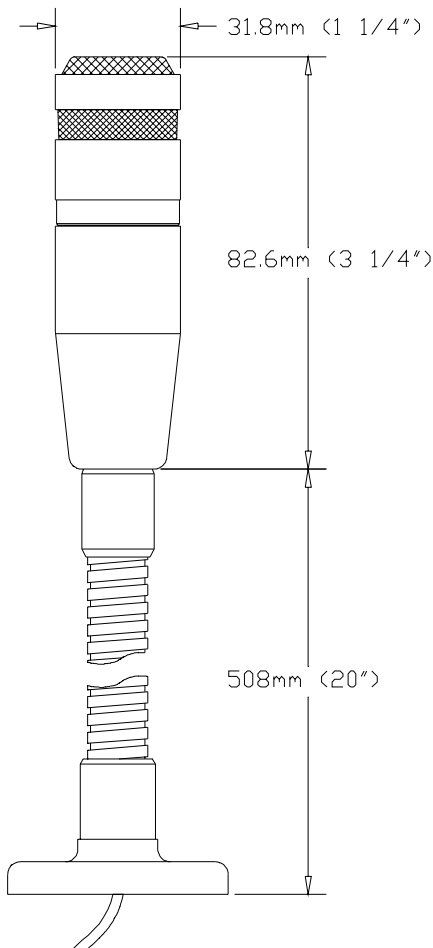
# 119S-19

## DYNAMIC CARDIOID GOOSENECK MICROPHONE with PUSH TO TALK

### Description

The **ASTATIC 119S-19** is a dynamic cardioid microphone with a momentary push button switch, designed especially for gooseneck mounting in quality sound reinforcement and communication installations. The **119S-19** includes a 20" chrome gooseneck and flange. The **119 Series** microphones feature *all metal construction* and are extremely rugged and reliable. They will stand up under the most strenuous handling conditions to provide years of dependable service. The **119S-19** features *balanced* line wiring to allow use with long runs of cable without hum or noise pickup. The momentary push button switch is a double pole, double throw snap action type with gold plated contacts. The microphone element is wired *normally open*. The push button switch also connects to an extra pair of leads in the cable for any additional switching requirements. A slightly rising high frequency response and a gentle low frequency roll-off, assures excellent voice reproduction. A superior cardioid directional pattern minimizes feedback, background noise, reverberation, off-axis coloration and placement problems. An internal vibration isolation system, consisting of a special rubber mounting ring and a rubber stabilizing ring as support for the generating element, reduces gooseneck, stand and handling noise. An effective internal multistage blast filter controls breath "pop" and wind disturbances.

The **119S-19** has a *low impedance* output and is supplied with a rugged four conductor two shielded cable. The cable length for the **119S-19** is 1.7m (5 1/2'). The **119S-19** is finished in satin chrome.



### ASTATIC Quality

All **119S-19** microphones are audio tested and inspected prior to shipment. Our absolute commitment to quality insures that **ASTATIC** microphones remain the **Best Value** in today's competitive industry.

# SPECIFICATIONS FOR 119S-19



## Specifications

### Generating Element:

Dynamic

### Polar Pattern:

Unidirectional (Cardioid)

### Frequency Response:

150 Hz - 12 KHz **Output**

### Level:

#### Sensitivity:

-56 bBV (1.6mV) @ 1 Pa

### Impedance:

Low (500 ohms nominal)

### Connections:

Shield - Microphone ground

Black - Microphone low

Red - Microphone high

White, Green - These wires short together when push to talk button is depressed for additional switching requirements.

For unbalanced operation connect black and shield to ground and use red as microphone high.

### Phasing

Positive Pressure on Diaphragm generates a positive voltage on the red cable lead relative to the black cable lead

### Cable:

Four conductor, two shielded permanently attached, rugged, synthetic, jacketed cable.

119S-19 - 1.7m (5 1/2')

### Switch:

Long life DPDT snap action type with gold plated contacts

Microphone wired normally open

### Case:

Die Cast Zinc and Brass

### Flange:

2 3/4" Heavy-Duty Die Cast Zinc 5/8" 27 M

### Gooseneck

19" long by 19/32" diameter chrome

### Finish:

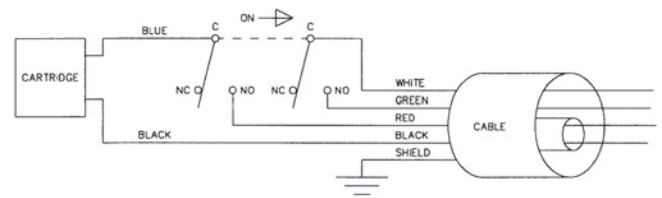
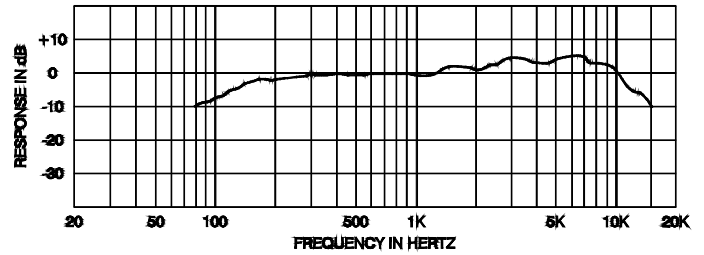
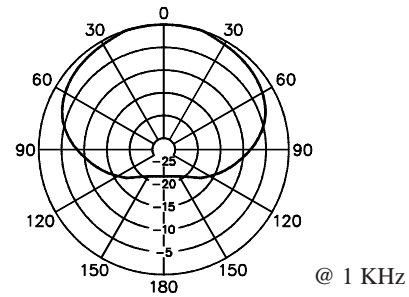
Plated satin chrome

### Dimensions:

119S-19 - 611.2mm (24 1/16") long (includes gooseneck and flange)

### NET Weight:

119S-19 - 850 grams (30 oz.) (includes gooseneck and flange)



## Architects' and Engineers' Specification

The microphone shall be an **ASTATIC 119S-19**. The microphone shall be a dynamic moving coil type with a diaphragm made of polyester. The frequency response shall be 80 Hz to 15 KHz. The microphone shall have a cardioid polar pattern.

The output level of the **119S-19** (500 ohms) shall be -60 dB (0 dB = 1 mW/10 microbar); -77 dB (0 dB = 1 volt/microbar); 1.4 mV/Pa. The microphone will feature an internal shock mounted element to reduce gooseneck and handling noise. The microphone will feature a momentary snap action push to talk switch with gold plated contacts. The microphone will be wired for balanced line operation. The microphone will have a zinc die cast and brass housing and be finished in satin chrome. The **119S-19** microphone will be fitted with a 508mm (20") chrome flexible gooseneck and mounting flange. The **119S-19** shall have a permanently attached 1.7M (5 1/2') four conductor two shielded synthetic jacketed cable.

The overall dimensions shall be 31.8mm (1 1/4") in diameter; 103.2mm (4 1/16") long and for the **119S-19** plus 508mm (20") for the gooseneck and flange. The weight shall be 850 grams (30 oz.) including gooseneck for the **119S-19**

The **ASTATIC Model 119S-19** is specified.