

DT20/02/22 Rack Mount Kit

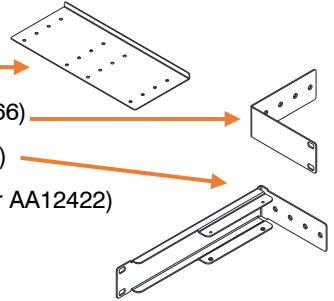
The DT-RK19 is a rack mounting kit for the DT20, DT02 or DT22. It allows one or two devices, in any combination, to be mounted in a 1U 19" rack space.

The devices can be installed in either front or rear orientation.

Contents

Check that you have received the following:

- 1x joining plate AA12265
- 2x short mounting ears (part number AA12266)
- 1x long mounting ear (part number AA12267)
- 6x insert bars for DT20 or DT02 (part number AA12422)
- 24x M3x6mm countersunk screws

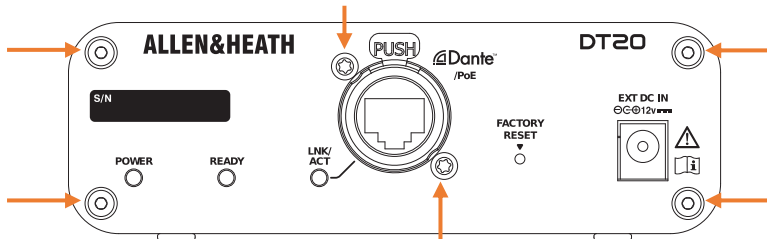


Preparation

The DT20-M, DT02-M and DT22-M come pre-fitted with insert bars and do not need any preparation. Skip this section if rack-mounting one of these models.

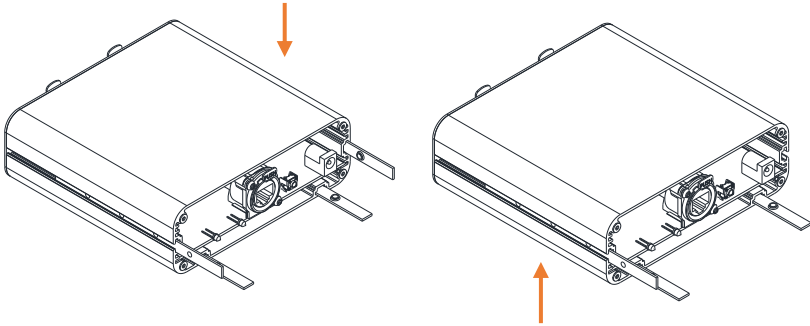
To rack-mount a standard DT20 or DT02, the following steps must be taken:

- Use a Torx T10 driver to remove the 4x screws securing the rear panel.
- Use a Torx T8 driver to remove the 2x screws securing the EtherCon socket.



- Carefully remove the rear panel.
- Remove the rubber feet.

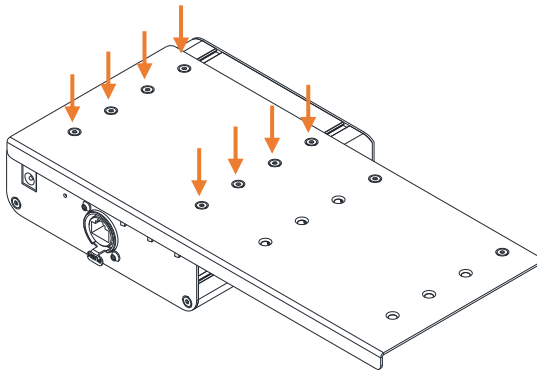
- If mounting a single unit: slide the **4** insert bars AA12426 (DT22) or AA12422 (DT20/02) into each side and to bottom of the unit, as shown below left.



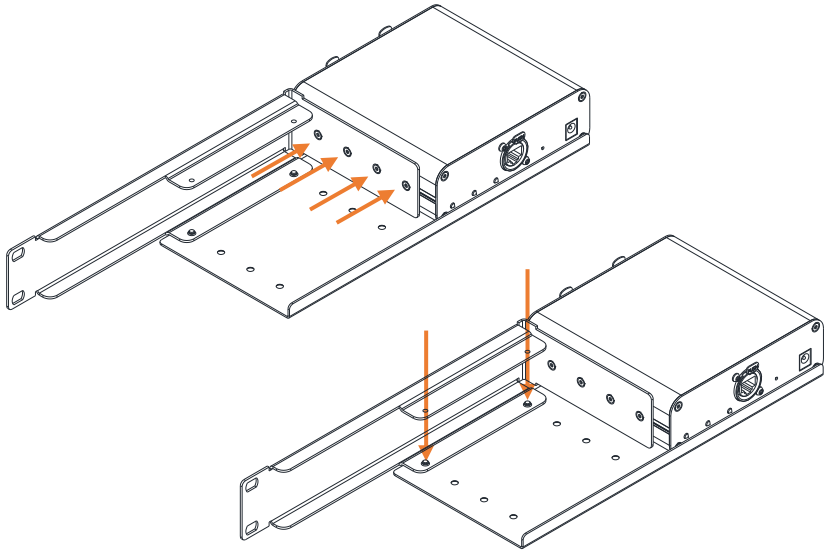
- If mounting two units: for each unit, slide **2** insert bars AA12426 (DT22P) or AA12422 (DT20/02) into the bottom of the unit, and **1** insert bar AA12426 (DT22P) or AA12422 (DT20/02) to the side of the unit facing the rack ear, as shown above right.
- Replace the rear panel/s and 4x screws to secure it.
- Replace the 2x screws securing the EtherCon socket.

Assembly instructions – single unit

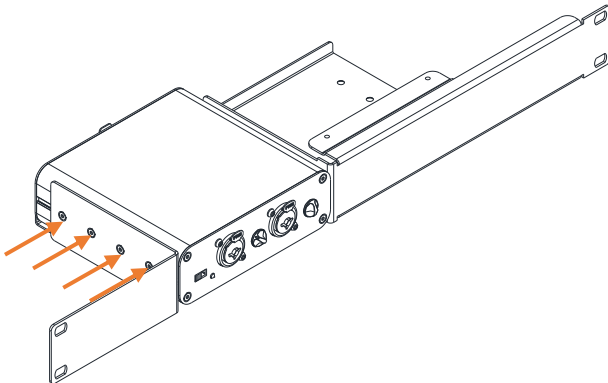
- Turn the unit upside down on a soft surface, and place the joining plate AA12265 as shown below, facing either the front or rear of the unit as required. Align the plate with the threaded holes on the insert bars, and secure it using 8x of the M3x6mm screws provided.



- Align the long mounting ear AA12267 to the threaded holes on the insert bar and joining plate as shown below, and secure it using 6x of the M3x6mm screws provided.



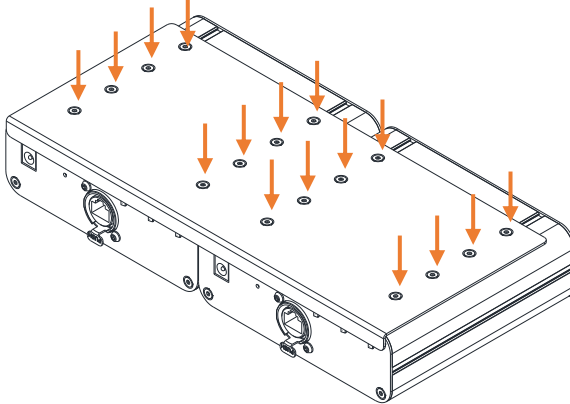
- Align the short mounting ear AA12266 to the threaded holes on the insert bar on the other side of the unit, and secure it using 4x of the M3x6mm screws provided.



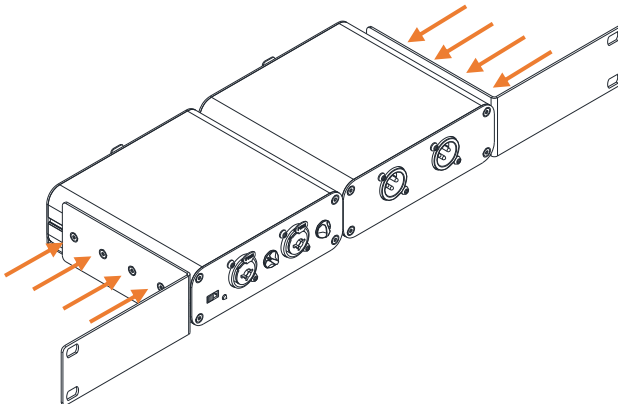
- The assembly is now ready for rack mounting.

Assembly instructions – two units

- Turn the units upside down on a soft surface, and place the joining plate AA12265 as shown below, facing either the front or rear of the units as required. Align the plate with the threaded holes on the insert bars, and secure it using 16x of the M3x6mm screws provided.



- Align the short mounting ears AA12266 to the threaded holes on the insert bars at each side of the unit, and secure them in place using 8x of the M3x6mm screws provided.



- The assembly is now ready for rack mounting.

ALLEN&HEATH

Copyright © 2021 Allen & Heath. All rights reserved.