

SAS-100-WM

100 lb. WLL

LOUDSPEAKER SUSPENSION & AIMING SYSTEM

Steerables®



Tilt Cable Kit Sold Separately

WALL MOUNT FOR RIGGABLE LOUDSPEAKERS

The Steerables® SAS-100-WM suspends and aims loudspeakers from walls and other vertical structures.

Loudspeaker cabinets equipped with rigging points can be suspended and aimed with unprecedented ease and precision. Pan and tilt adjustments can be made or remade within seconds.

Ideal applications include permanently installed loudspeakers in churches, schools, gymnasiums, auditoriums, theme parks nightclubs, bars and restaurants.

The Steerables® unique Cross-Arm steering mechanism provides up to 360 degrees of pan control while tilting is achieved either through the addition of a standard Allen Products U-Series bracket or Steerables® Tilt Cable Kit (see respective data sheets for more details).

STANDARD FEATURES:

- ▶ Suspends riggable loudspeakers from walls and other vertical surfaces
- ▶ Unique cross arm steering mechanism offers 360° of pan control
- ▶ Significant reductions in installation and planning time
- ▶ Accommodates standard Allen Products U-Series brackets and Steerables® Tilt Cable Kits
- ▶ Minimal mounting surface area required

OPTIONAL ACCESSORIES:

- ▶ See Tilt Cable Kit Datasheet
- ▶ See Overhead Hardware Datasheet

SPECIFICATIONS:

Materials: Structural steel alloy tube and plate

Finish: Powder Coat

Color: Textured black

Pan Rotation: 360° horizontal swivel max

WLL: 100 lbs./45 kg.

Design Factor: 10:1 ratio based on ultimate yield point

Net Weight: 14.5 lb. / 6.6 Kg.

Shipping Weight: 17 lb. / 7.7 Kg.

Product Weight: 16.8 lb / 7.6 Kg

PACKAGE CONTENTS:

1 pc. Suspension Arm

1 pc. Cross Arm

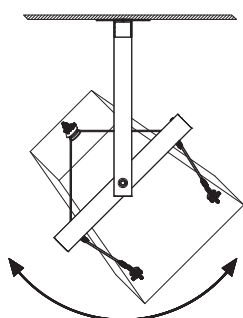
1 pc. Hardware Kit

Hardware for mounting to the wall structure is not included.

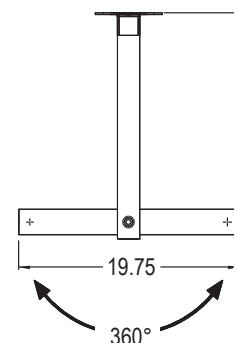
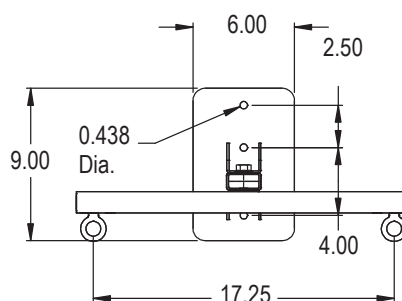
Tilt mechanism is ordered separately. See Next Page

DIMENSIONS:

Horizontal Steering



Top View



SAS-100-WM

LOUDSPEAKER SUSPENSION & AIMING SYSTEM

Steerables®

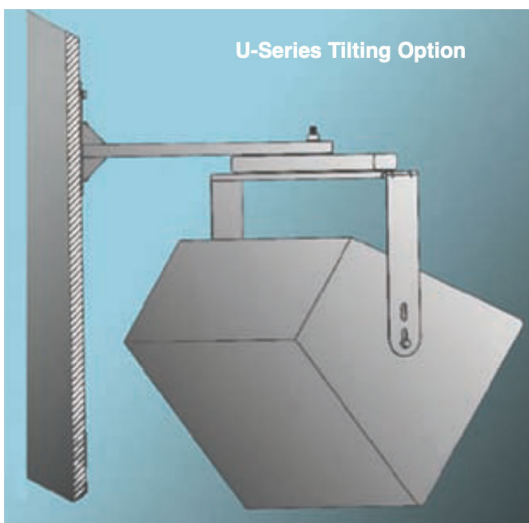


VERTICAL TILT CONTROL STEERABLES® CABLE KIT SYSTEMS

While the SAS-100-CM wall-mounting arm provides 360° horizontal control, the Steerables® Tilt Cable Kit provides a secure and infinite locking tilt mechanism. The Tilt Cable Kit is available in five (5) standard sizes, as shown below, and custom sizes can be made to order.

TCK-008	8.25"/209mm Fixed Cable length
TCK-010	10.0"/254mm Fixed Cable length
TCK-014	14.0"/356mm Fixed Cable length
TCK-018	18.0"/457mm Fixed Cable length
TCK-022	22.0"/559mm Fixed Cable length

See Steerables® Tilt Cable Kit data sheet for more detailed information



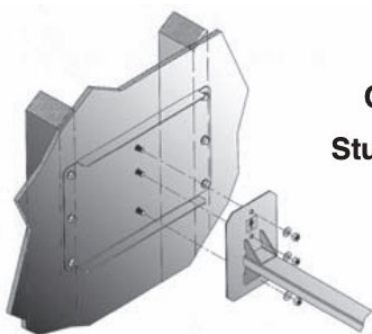
VERTICAL TILT CONTROL USING AN ALLEN U-SERIES MOUNT

Many ALLEN U-Series brackets mount directly to the SAS-100-CM cross arm. Ideal for cabinets that offer mounting points and where both pan and tilt rotations are required.

U-Series models for SAS-100-CM:

2-0900	2-0980	2-1050	2-1100	2-1200	2-1300	2-1350
2-0950	2-1000	2-1060	2-1150	2-1230	2-1320	

See U-Series data sheet for more detailed information.



Optional Stud Adapter

WALL STUD ADAPTER PLATE

To bridge between two structural wall studs, use model No. WP-16 Wall Stud Adapter Plate, which offers a more solid and secure surface attachment for mounting to walls. The Stud Adapter Plate bridges standard 16" construction stud spacing.