



E410 Series

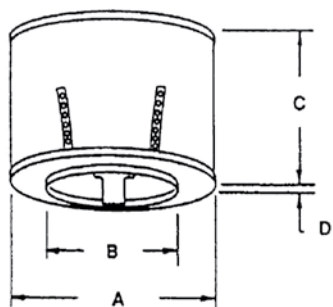
Round Torsion Spring Enclosures For 4" Loudspeakers



E410/E410NK



E410-11



E410, E410NK

General Description

E410 Series enclosures are designed for use with Atlas Sound torsion spring grilles and standard 4" (102mm) loudspeakers. All versions are constructed of 22-gauge CRS, undercoated, equipped with torsion spring receptacles, and finished in a textured black epoxy.

Model E410 Standard ¼ cubic foot (.007m3) enclosure available without conduit knockouts (NK) for applications in which solid enclosures are required. Model E410-11 This high-volume, ½ cubic foot (.014m3) version of Model E410 enhances the low frequency response of an installed loudspeaker. Model E410-11 has a depth of 11" (279mm) and includes high-density fiberglass fill to absorb internal sound reflection. Model E410-11 does not include knockouts.

E410

| | |
|---|--------------|
| A | 10½" (257mm) |
| B | 6⅜" (162mm) |
| C | 6½" (165mm) |
| D | ½" (13mm) |

Mounts Baffle T730-4B(W), T51-4, T60-4, T710-4, T720-4(BT)

E410NK

| | |
|---|--------------|
| A | 10½" (257mm) |
| B | 6⅜" (162mm) |
| C | 11" (279mm) |
| D | ½" (13mm) |

Mounts Baffle T730-4B(W), T51-4, T60-4, T710-4, T720-4(BT)

E410-11

| | |
|---|--------------|
| A | 10½" (257mm) |
| B | 6⅜" (162mm) |
| C | 11" (279mm) |
| D | ½" (13mm) |

Mounts Baffle T730-4B(W), T51-4, T60-4, T710-4, T720-4(BT)

Architect and Engineer Specifications

The enclosure shall be Atlas Sound Model ____ (E410, E410NK, E410-11) or approved equal. It shall contain torsion tab receptacles for mounting Atlas Sound torsion spring grille Model ____, or approved equal. Unit shall come equipped (with, without) conduit knockouts. Damping material or high-density fiberglass fill (available on Model E410-11 only) shall be applied to absorb internal sound reflection.

Features

- Equipped with Receptacles for Easy Installation of Torsion Spring Grilles
- Available With or Without Conduit Knockouts
- Choice of Standard or High-Volume Models

Applications

Utilize Atlas Sound E410 Series recessed enclosures to mount hardware-free, torsion spring grilles. These enclosures are designed for use with 4" (102mm) loudspeakers. Model E410 is available with or without conduit knockouts (NK) to accommodate varying building code and installation requirements. Model E410-11 does not include knockouts.

©2011 Atlas Sound L.P. All rights reserved. Atlas Sound and Strategy Series are trademarks of Atlas Sound L.P. All other trademarks are the property of their respective owners. AT5001460 RevB 7/11