

# 571MK-DT

Desktop Kit for 571C/571D



## Features

- Desktop Kit for 571C/571D
- Vertical or Horizontal Orientation
- Lockable 30°, 45°, or 60° Viewing Angle
- Weighted Base with Non-Skid Pad
- Cable Management Clip

## Applications

- Airports
- Industrial
- Mass Transit
- Corporate
- Educational

## General Description

The 571MK-DT desktop kit allows for the 571C or 571D communication stations for use on a desktop. The kit allows for both horizontal and vertical orientations of the 571C or 571D. The viewing angle can be set at 30°, 45°, or 60° and then locked for installation. A cable management clip is attached to the back. **Note: the 571C/571D must be purchased separately.**

The 571MK-DT includes a weighted base including a non-skid pad for stability. For further reinforcement, four holes are included in the metal plate and pad for securing the communication station to a desk.

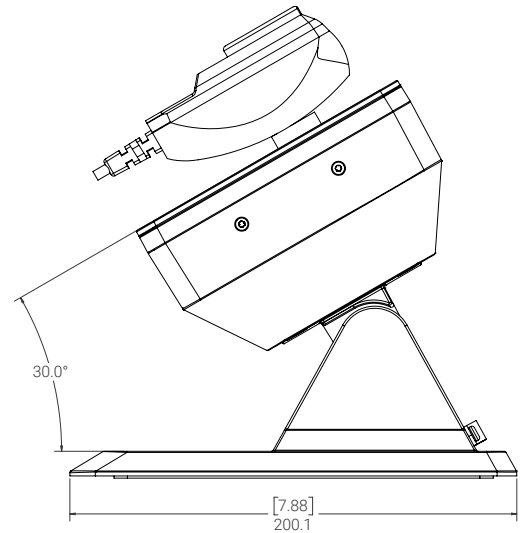
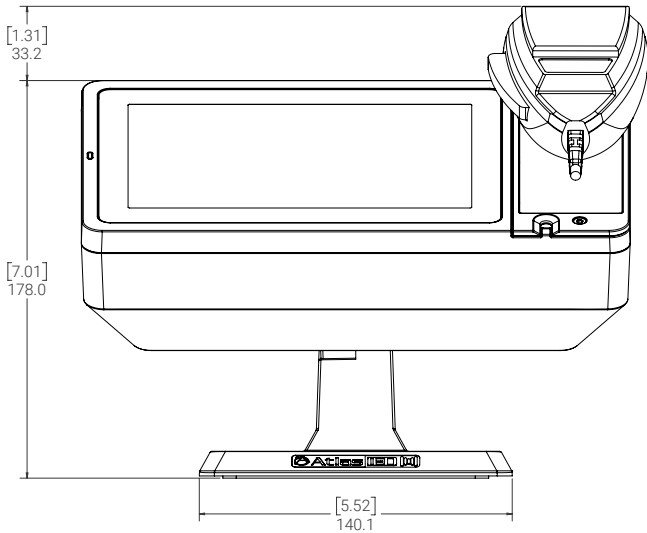
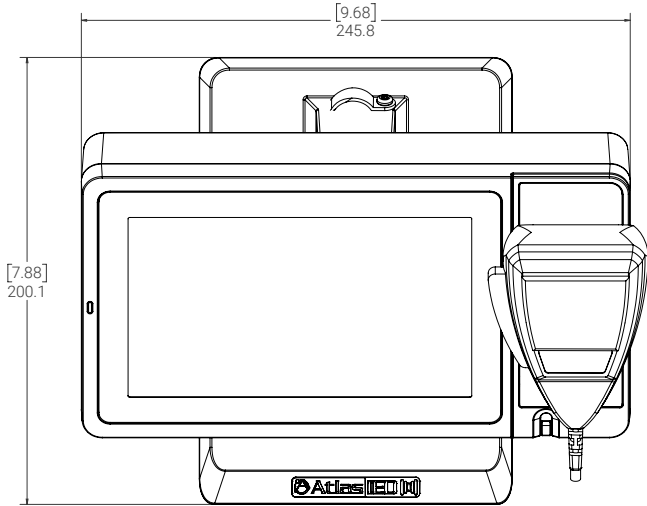
**Weight**

Desktop Mount Kit - Unit Weight	3.31 lbs/1.50 kg.
Desktop Mount Kit - Shipping Weight	4.19 lbs/1.90 kg

©2021 Atlas Sound L.P. The Atlas "Circle-A", Soundolier, and Atlas Sound are trademarks of Atlas Sound L.P. IED is a Registered Trademark of Innovative Electronic Designs LLC. All rights reserved. All other Trademarks are property of their respective owners. No endorsement is implied. Due to continual product development, specifications are subject to change without notice. ATSO06817 RevA 10/21

## Dimensional Drawings

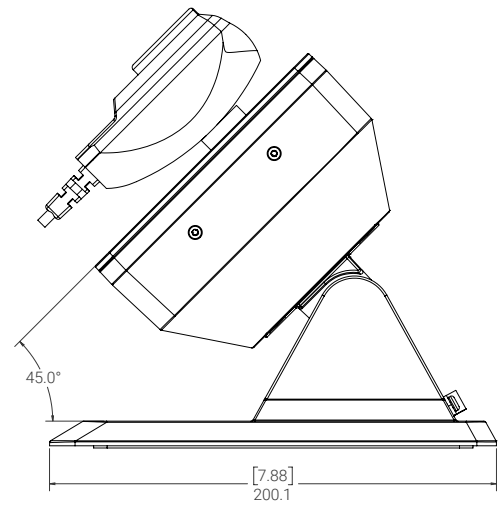
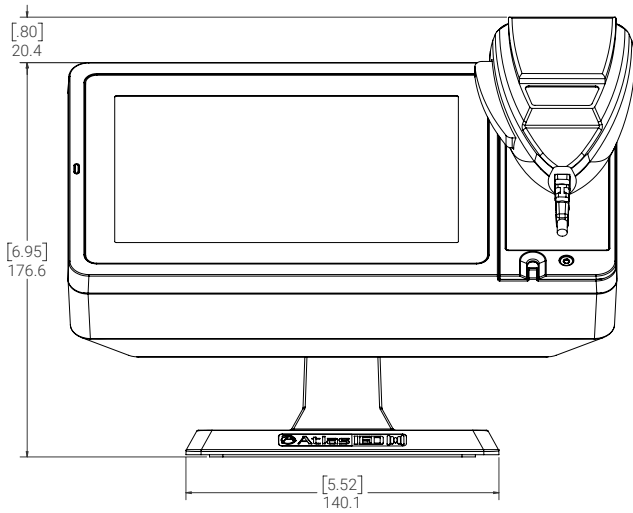
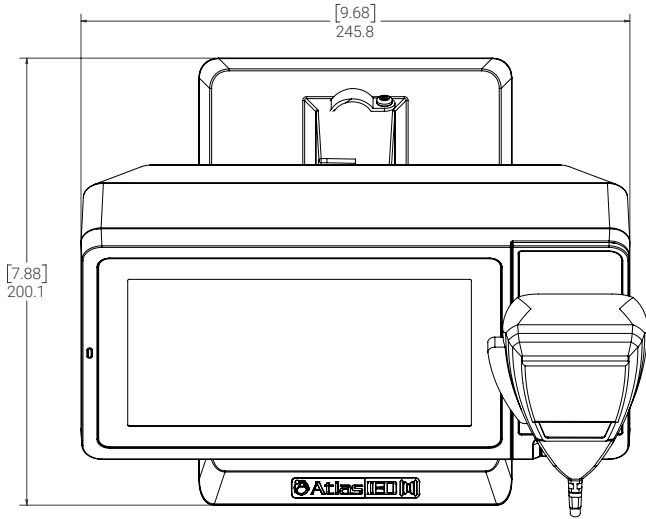
### Horizontal Configuration (30°) w/ Core Unit - Front/Side/Top View



©2021 Atlas Sound L.P. The Atlas "Circle-A", Soundolier, and Atlas Sound are trademarks of Atlas Sound L.P. IED is a Registered Trademark of Innovative Electronic Designs LLC. All rights reserved. All other Trademarks are property of their respective owners. No endorsement is implied. Due to continual product development, specifications are subject to change without notice. ATSO06817 RevA 10/21

## Dimensional Drawings

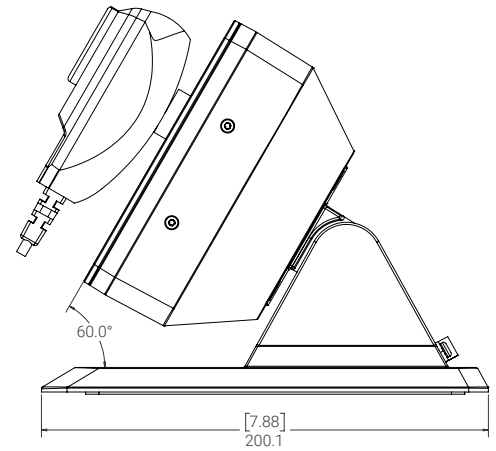
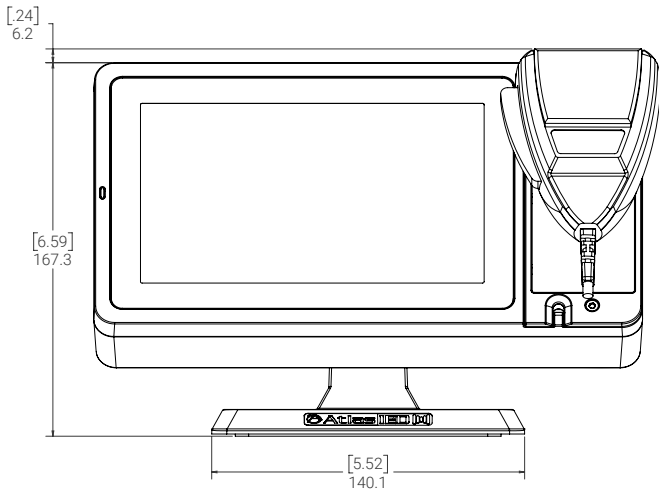
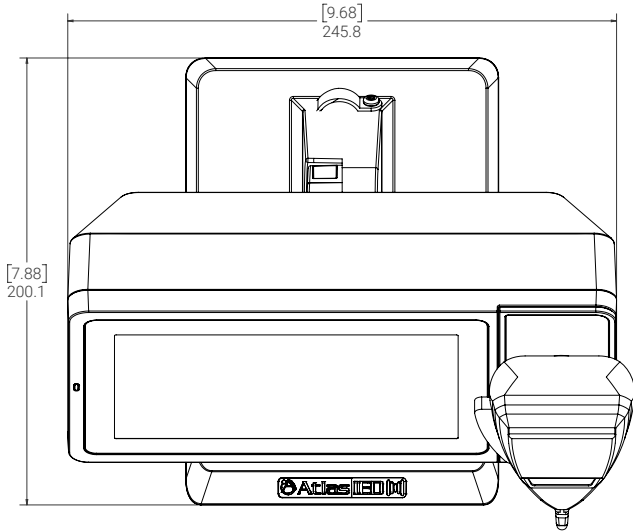
### Horizontal Configuration (45°) w/ Core Unit - Front/Side/Top View



©2021 Atlas Sound L.P. The Atlas "Circle-A", Soundolier, and Atlas Sound are trademarks of Atlas Sound L.P. IED is a Registered Trademark of Innovative Electronic Designs LLC. All rights reserved. All other Trademarks are property of their respective owners. No endorsement is implied. Due to continual product development, specifications are subject to change without notice. ATSO06817 RevA 10/21

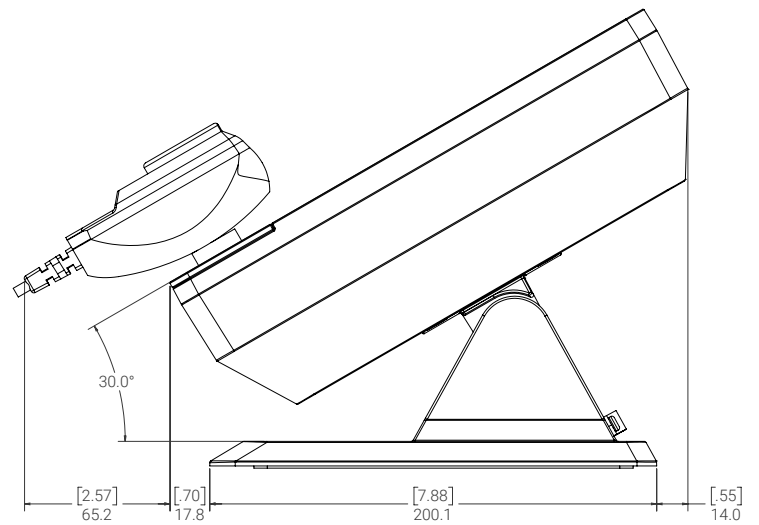
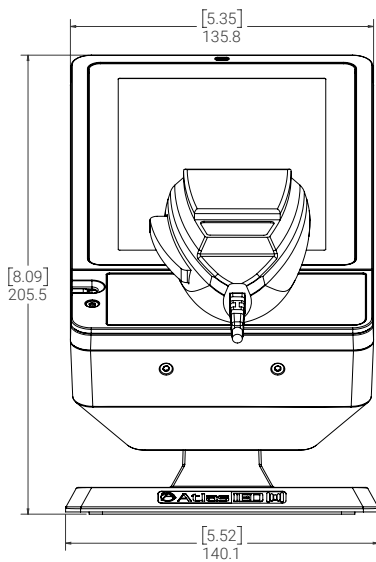
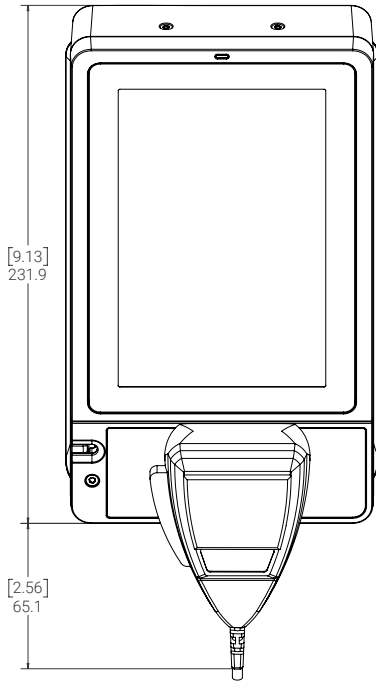
## Dimensional Drawings

### Horizontal Configuration (60°) w/ Core Unit - Front/Side/Top View



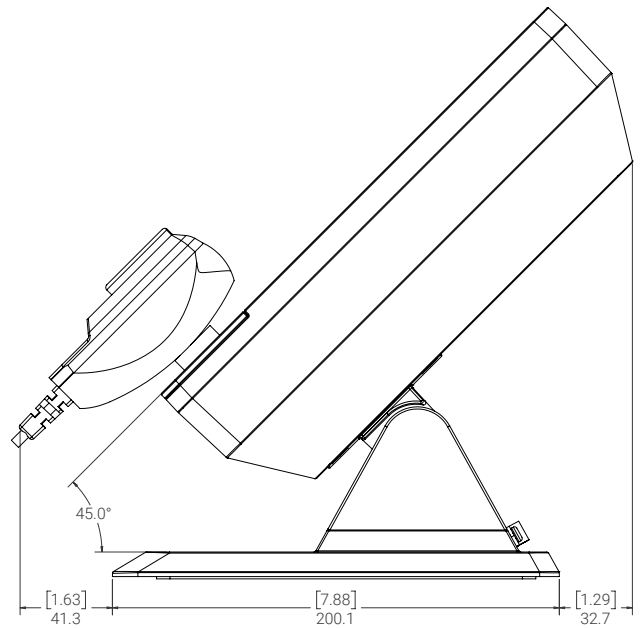
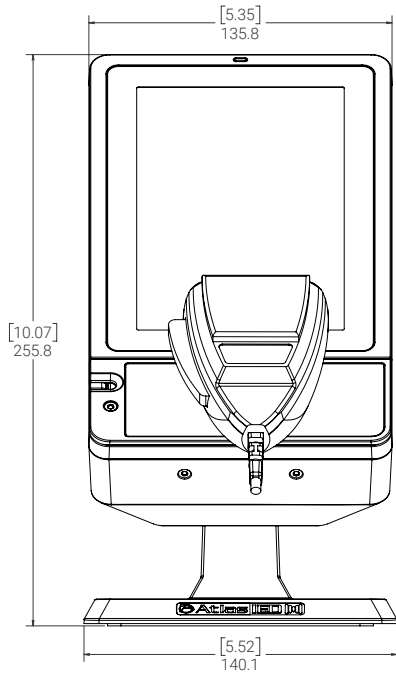
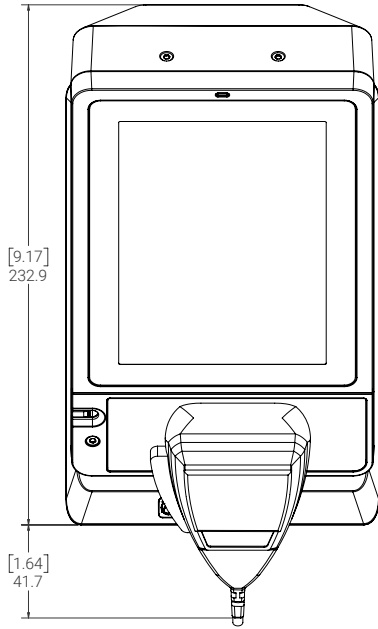
## Dimensional Drawings

### Vertical Configuration (30°) w/ Core Unit - Front/Side/Top View



## Dimensional Drawings

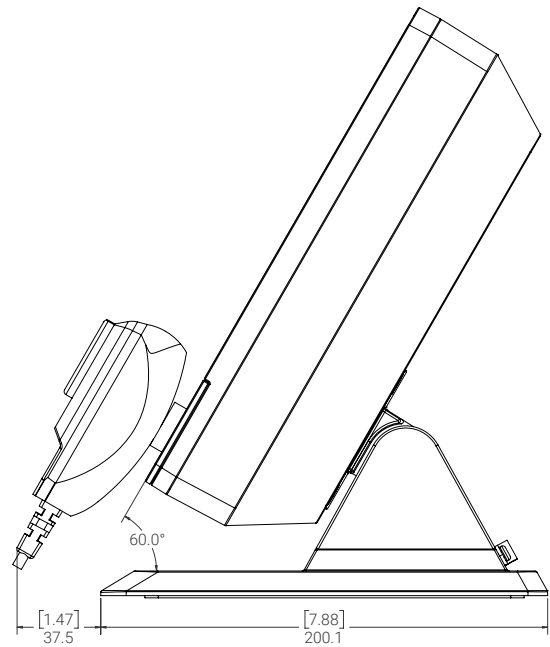
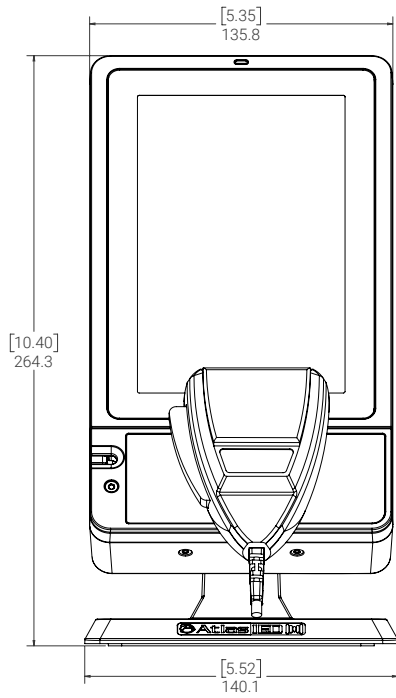
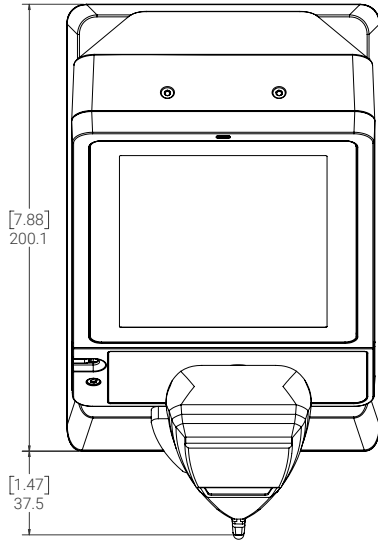
### Vertical Configuration (45°) w/ Core Unit - Front/Side/Top View



©2021 Atlas Sound L.P. The Atlas "Circle-A", Soundolier, and Atlas Sound are trademarks of Atlas Sound L.P. IED is a Registered Trademark of Innovative Electronic Designs LLC. All rights reserved. All other Trademarks are property of their respective owners. No endorsement is implied. Due to continual product development, specifications are subject to change without notice. ATSO06817 RevA 10/21

## Dimensional Drawings

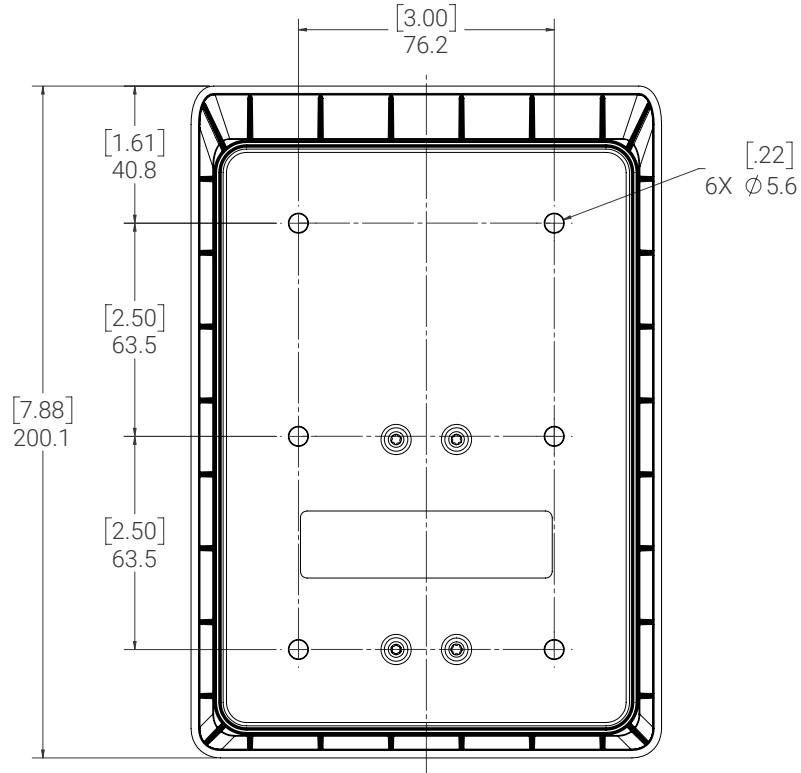
### Vertical Configuration (60°) w/ Core Unit - Front/Side/Top View





## Dimensional Drawings

### Base View - Bottom



## Architect and Engineer Specifications

The 571 desktop kit shall have four screws for attaching to either the 571C or 571D communication station. It shall have an opening of 20mm (.78in) diameter for wiring. It shall have a 30°, 45°, or 60° viewing angle. It shall be manufactured in metal and plastic and colored RAL 9011 graphite black.

The 571 desktop kit shall be the AtlasIED 571MK-DT.