

ATMOSPHERE™

AtlasIED's Atmosphere platform sets a new standard for digital audio with multi-zone processors, amplifiers, and a variety of accessories. Touchless control, easy-to-program automation, and artificial intelligence offer integrators and users an effortless way to create the perfect Atmosphere for their business.

FEATURES/BENEFITS



Touchless Control

Chosen users can control pre-authorized aspects of the system from their personal mobile device. Individual device control is cleaner and more hygienic than utilizing public control hardware.



Simple Programming & Intuitive GUI

Atmosphere is easily setup with a web browser. No proprietary software to download. The GUI is refreshingly intuitive and allows for design freedom without requiring days of training seminars to learn how to program, install, and deploy a system.



Smart DSP with Ambient Noise Compensation

Atmosphere algorithms set a new standard for the way digital audio systems compensate for ambient noise enabling it to continually learn and adapt to changes in the environment without using external microphones.



Wide Selection of Accessories

A complete family of interoperable products engineered to work seamlessly together, minimizing configuration and programming headaches including wall-mounted audio controllers, remote audio inputs, and an ambient noise sensor.



Automated Message Player

Operational effectiveness and efficiencies are improved by dispatching pre-recorded messages according to a schedule, or triggered by an input device, such as an ambient noise sensor, or volume/source/zone selections.

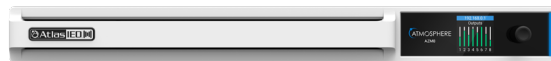


Tilter Filter™ & Preloaded EQ Settings

Tilter Filter™ provides a quick and easy way to tune a room without being an audiophile. If the system uses AtlasIED speakers, EQ presets are preloaded for easy tuning.



AZM4



AZM8

DIGITAL AUDIO PROCESSORS

Atmosphere’s 4 and 8 zone audio processors are the heart of the audio control system and offer powerful DSP combined with innovative algorithms. Features such as a built-in message player, auto-gain, GPIO, and learning ambient noise sensing, make AZM models processing powerhouses. Programming is simple through a modern, on-board web interface. Built around Progressive Web App technology, the control interface is device agnostic, responsive, and meticulously designed for an ideal user experience without sacrificing design freedom.



A-XLR



A-RCA



A-BT



C-V



C-ZSV



X-ANS

AUDIO INPUT, CONTROL, & MONITORING ACCESSORIES

Expanding upon the AZM processor’s capabilities are six plug-n-play, smart Wall Plate accessories. Three audio input plates (balanced Mic/Line XLR, dual RCA stereo summed with 3.5mm, and Bluetooth®), two different controllers (Volume Control only and Zoned Control), and one sensor for Ambient Noise Compensation control. Any control accessory can be daisy chained on a single cable digital bus up to a 1000ft run and assigned to any zone, reducing installation wiring time and complexity.



AZA 804



AZA 808

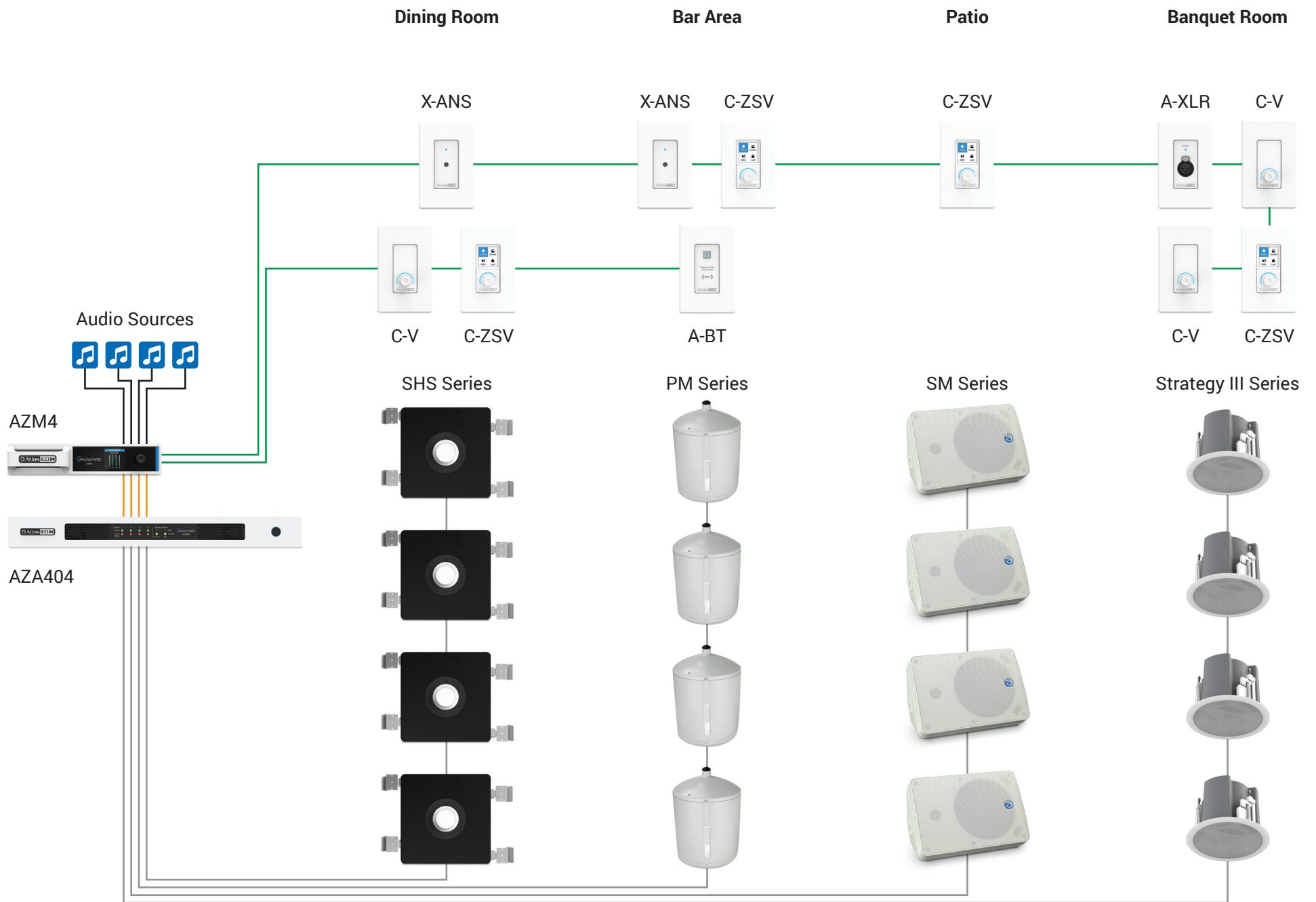
DIGITAL AMPLIFIERS

Atmosphere 400 & 800-watt amplifiers are designed to interface with other products within the family and can be used in 70V, 4Ω or 8Ω mode, or a combination of the two. They come standard with four balanced line inputs and an accessory slot for an optional four-channel Dante™ receiver card (model DPA-DAC4), for a total of up to eight inputs. All inputs can be mixed and routed to any of the four amplifier channels. All four amplifier channels have an assortment of advanced DSP tools.

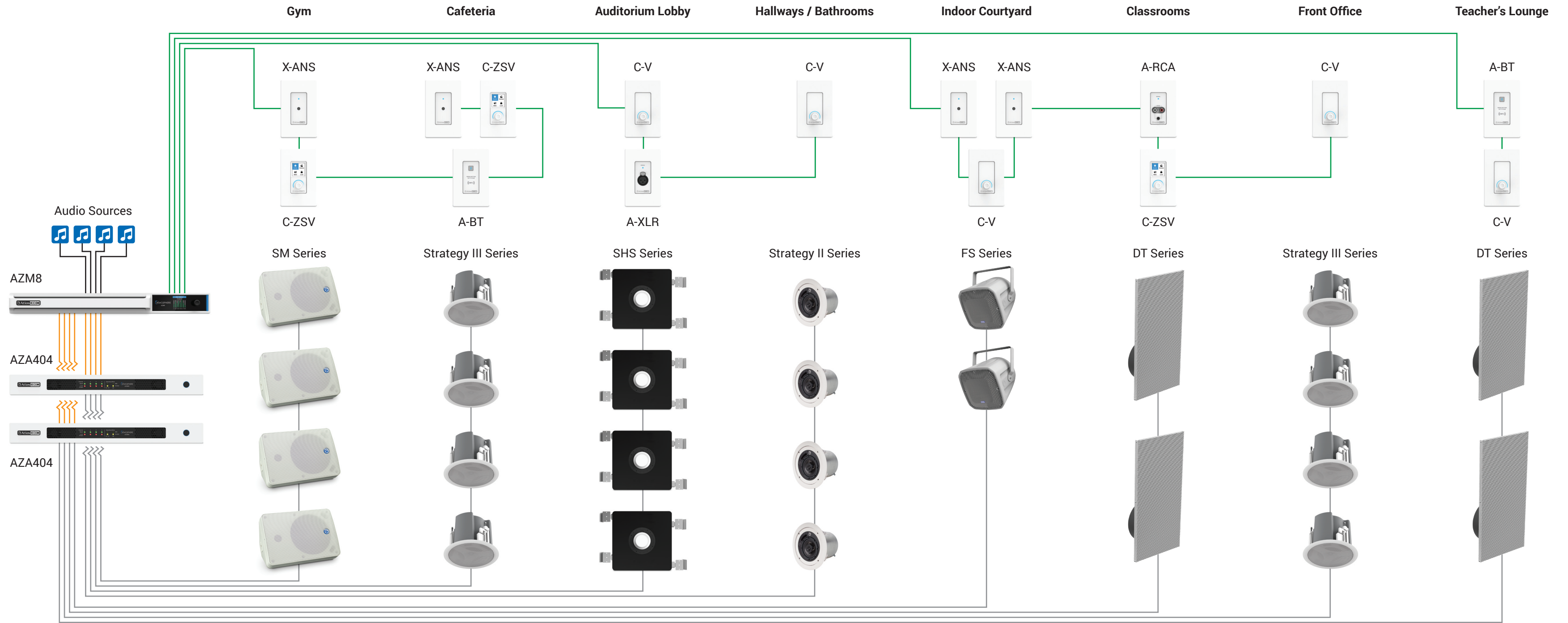
©2020 Atlas Sound L.P. The Atlas "Circle A", Soundolier, and Atlas Sound are trademarks of Atlas Sound L.P. IED is a Registered Trademark of Innovative Electronic Designs LLC. All rights reserved. All other Trademarks are property of their respective owners. No endorsement is implied. Due to continual product development, specifications are subject to change without notice. ATS0006187 RevA 7/20

ATMOSPHERE™

System Example - Restaurant

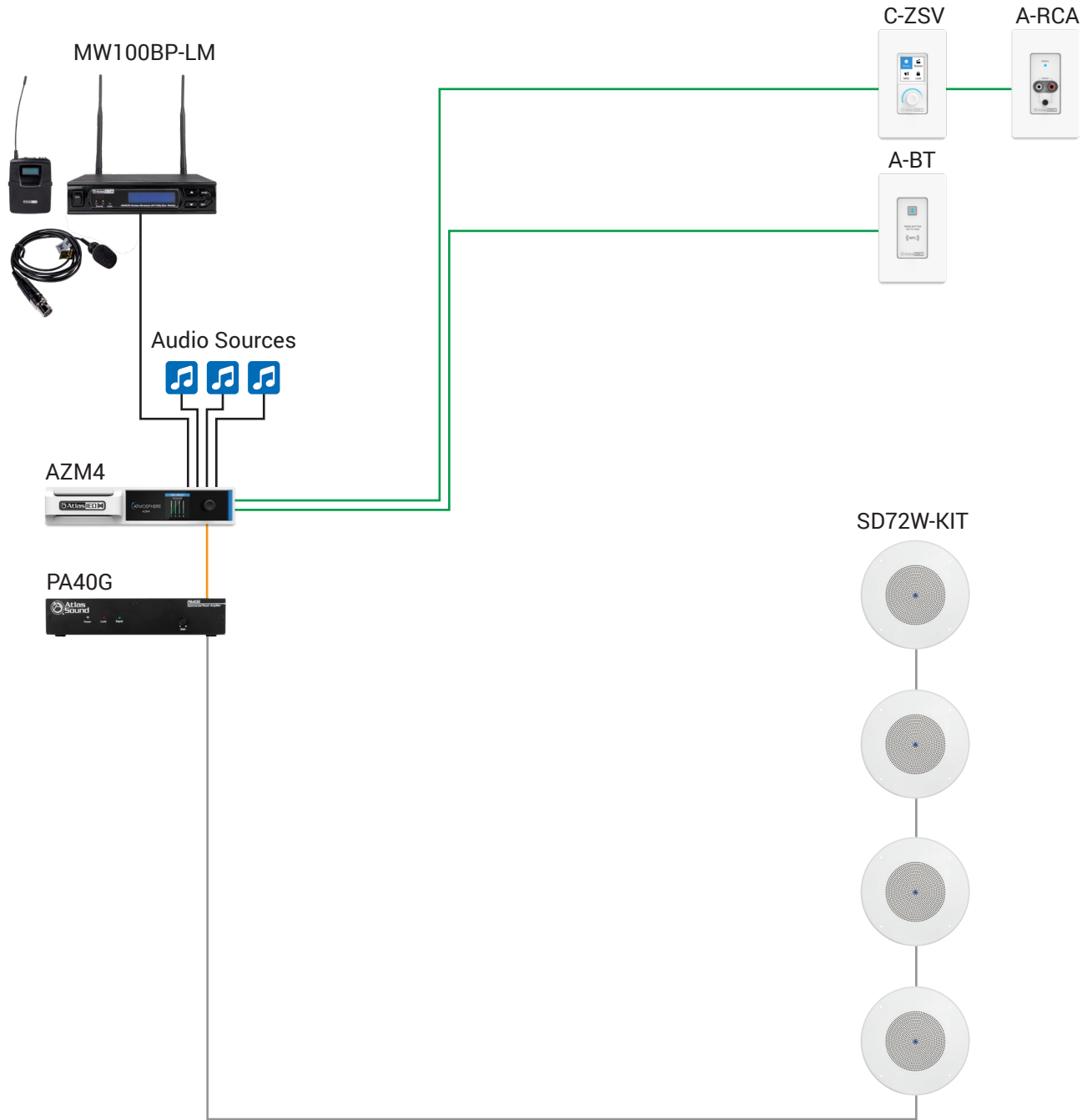


©2020 Atlas Sound LP. The Atlas "Circle A", Soundolier, and Atlas Sound are trademarks of Atlas Sound L.P. IED is a Registered Trademark of Innovative Electronic Designs LLC. All rights reserved. All other Trademarks are property of their respective owners. No endorsement is implied. Due to continual product development, specifications are subject to change without notice. ATS006188 RevA 7/20



ATMOSPHERE™

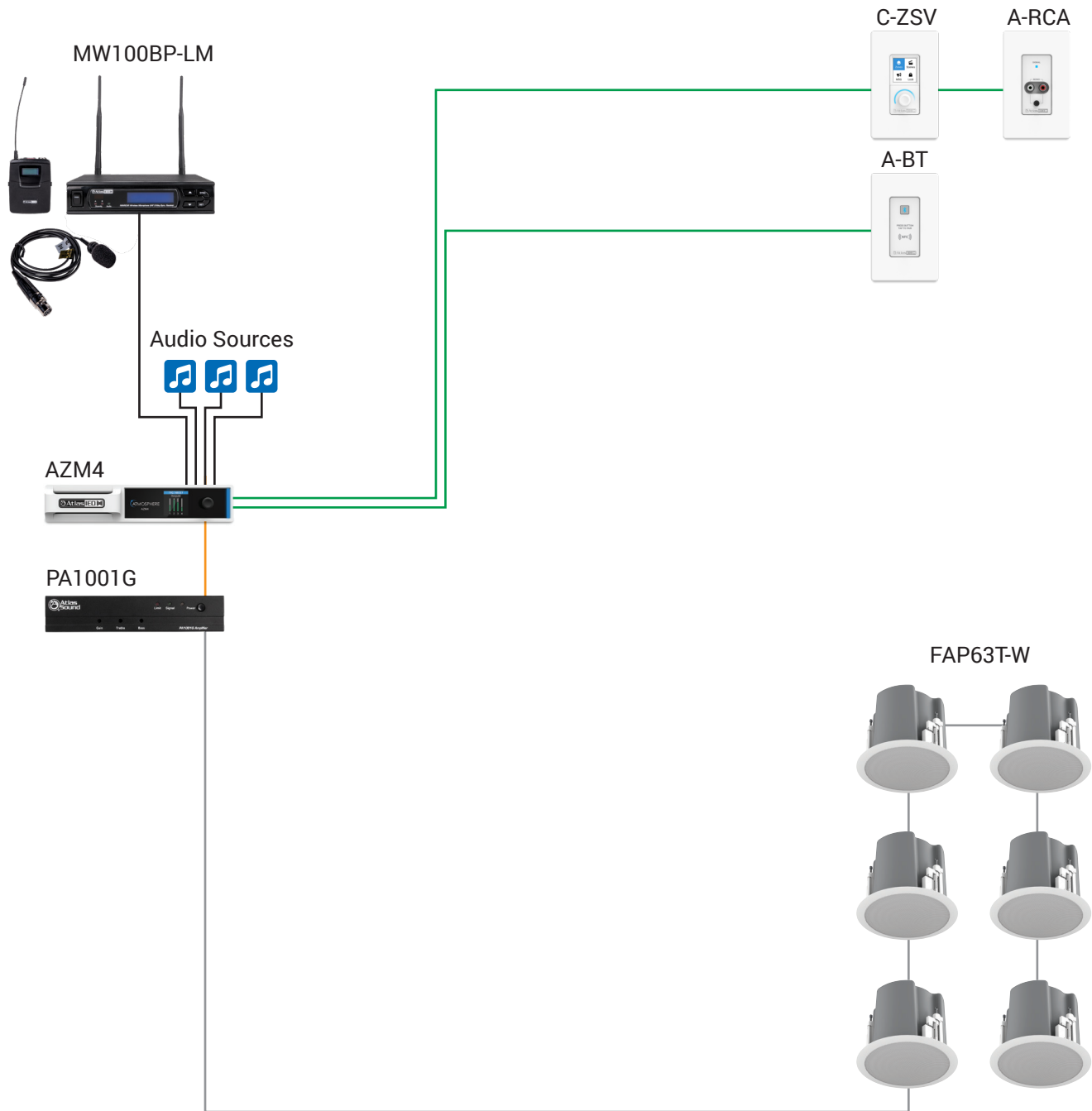
System Example - Small Classroom



©2020 Atlas Sound LP. The Atlas "Circle A", Soundolier, and Atlas Sound are trademarks of Atlas Sound L.P. IED is a Registered Trademark of Innovative Electronic Designs LLC. All rights reserved. All other Trademarks are property of their respective owners. No endorsement is implied. Due to continual product development, specifications are subject to change without notice. ATS006208 RevA 8/20

ATMOSPHERE™

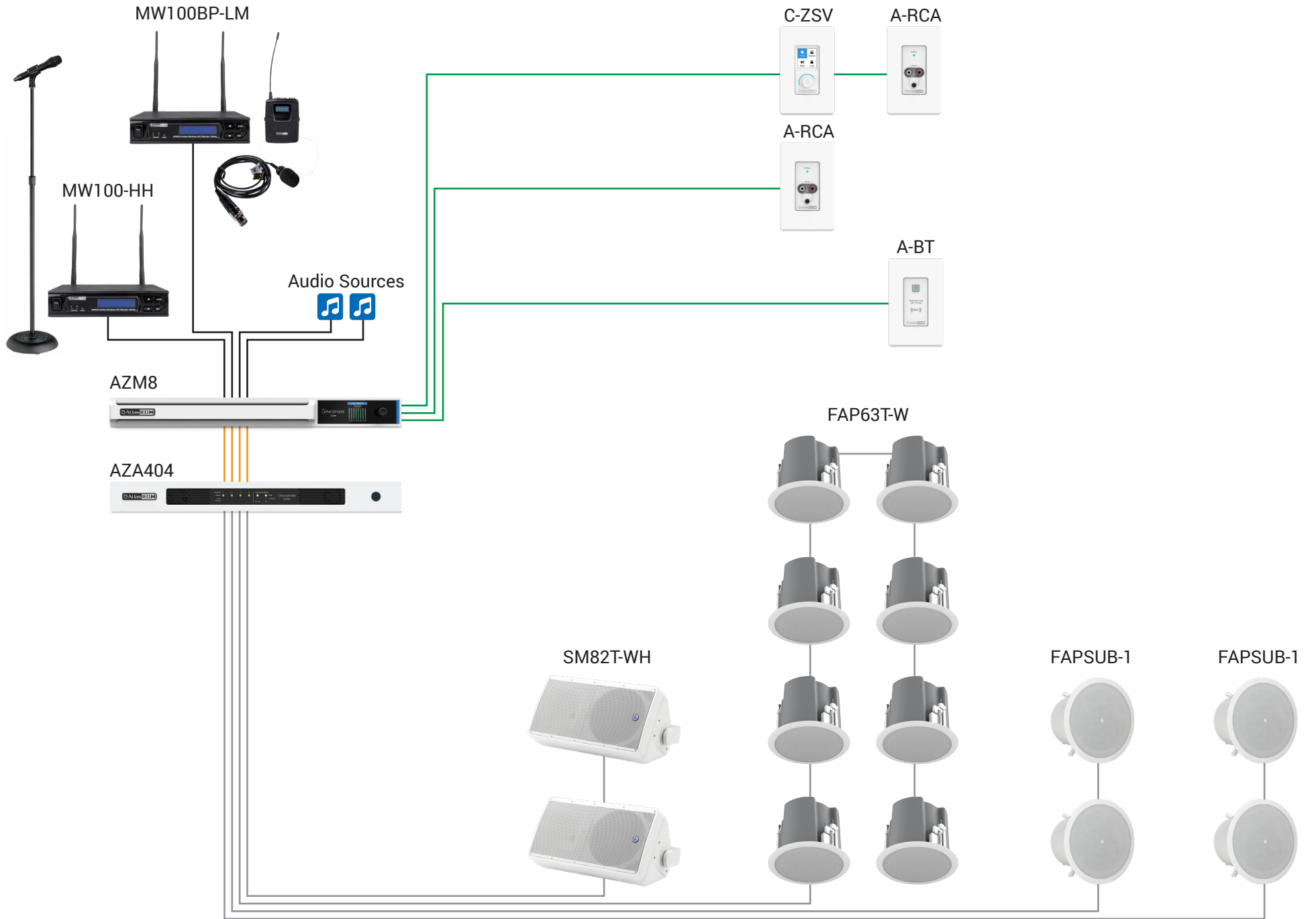
System Example - Standard Classroom



©2020 Atlas Sound LP. The Atlas "Circle A", Soundolier, and Atlas Sound are trademarks of Atlas Sound L.P. IED is a Registered Trademark of Innovative Electronic Designs LLC. All rights reserved. All other Trademarks are property of their respective owners. No endorsement is implied. Due to continual product development, specifications are subject to change without notice. ATS006209 RevA 8/20

ATMOSPHERE™

System Example - Lecture Hall



©2020 Atlas Sound LP. The Atlas "Circle A", Soundolier, and Atlas Sound are trademarks of Atlas Sound L.P. IED is a Registered Trademark of Innovative Electronic Designs LLC. All rights reserved. All other Trademarks are property of their respective owners. No endorsement is implied. Due to continual product development, specifications are subject to change without notice. ATS006210 RevA 8/20