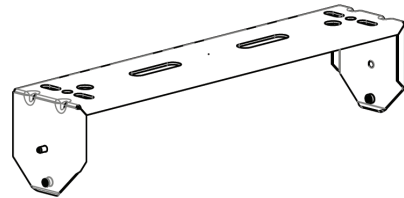
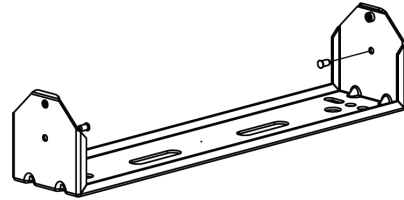


# ELX200-BRKT Wall mount bracket, ELX200 2-way models



- Wall mount bracket for ELX200 2-way models

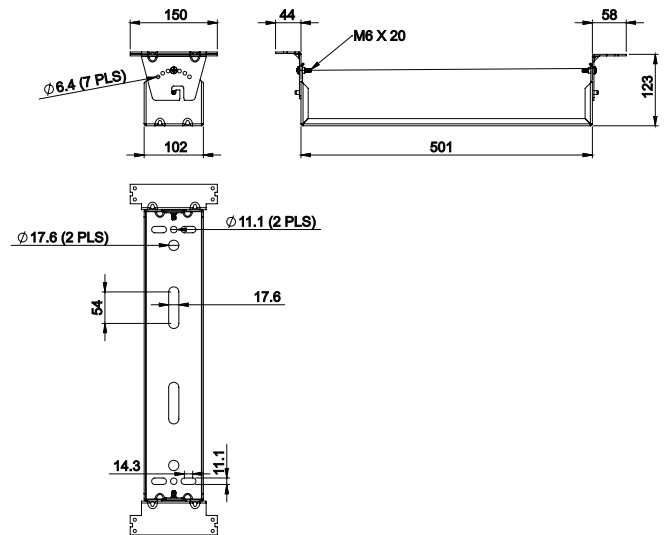


The ELX200 wall mount bracket is designed for use with all of the ELX200 full-range loudspeakers.

## Technical specifications

Color:	Black or white
Dimensions (H x W x D):	501 mm x 102 mm x 123 mm (19.72 in x 4.02 in x 4.84 in)
Shipping dimensions (H x W x D):	530 mm x 165 mm x 145 mm (20.87 in x 6.50 in x 5.71 in)
Net weight:	2.09 kg (4.60 lb)
Shipping weight:	2.65 kg (5.85 lb)

## Dimensions:



## Ordering information

**ELX200-BRKT Wall mount bracket, ELX200 2-way, black**  
Wall mount bracket for all ELX200 full-range models, black  
Order number **ELX200-BRKT | F.01U.326.072**

**ELX200-BRKT-W Wall mount bracket, ELX200 2-way, white**  
Wall mount bracket for all ELX200 full-range models, white  
Order number **ELX200-BRKT-W | F.01U.361.514**

### Represented by:

Germany:  
Bosch Sicherheitssysteme GmbH  
Robert-Bosch-Ring 5  
85630 Grasbrunn  
Germany  
www.electrovoice.com

Bosch Security Systems, LLC  
12000 Portland Avenue South  
Burnsville MN 55337  
USA